

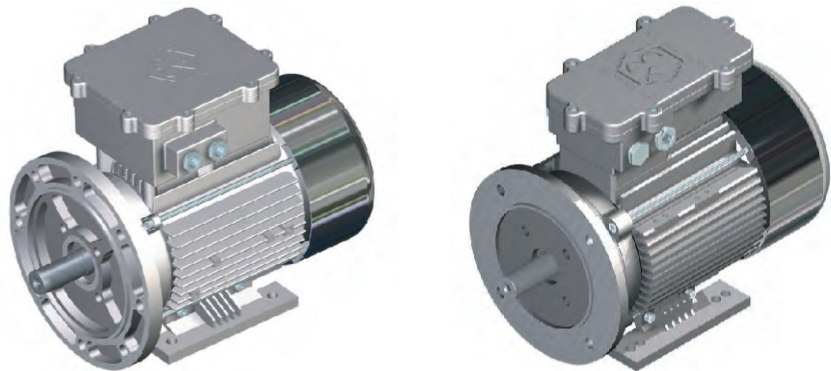


STM Power Transmisson Ltd
Empowering your ideas...

Aluminium Flameproof Motors - RL

Features:

- Zone 1 + Zone 2 (2G)
- Zone 21 + Zone 22 (2GD)
- Zone 21 + Zone 22 (2GD)
- 0.06kW to 18.5Kw
- Frame sizes 56 - 160



These motors are developed for use in potentially explosive atmospheres consisting of gas and/or vapours or combustible dust. Protection classes covered include Cat 2, suitable for Zone 1, Zone 2 (2G) and for Zone 21 and Zone 22 (2GD); all motors are manufactured in compliance with the European - EN - standards for the relevant levels of protection.

This complete range of motors is manufactured in Italy. Being of aluminium construction these motors are much lighter than the traditional cast iron motors and are very cost effective.

Options:

- Special voltage and frequency
- Thermal protectors (probe PTC or PTO)
- Anti-condensation heaters
- Insulation class H
- Motors tropicalized
- Motors suitable for frequency invert drive
- Double shaft motors
- Special shaft for ENCODER
- Special shafts + Flanges
- Motor without terminal box with cable (length on request)
- Terminal box on the side (right or left)
- Terminal box with special cable glands
- Increased safety 'e' terminal box
- Protection IP66
- Temperature class T5 e T6
- Fan cover with roof
- Special bearings
- Locked front bearing

www.stmuk.co.uk

Tel: +44 (0)1606 557200