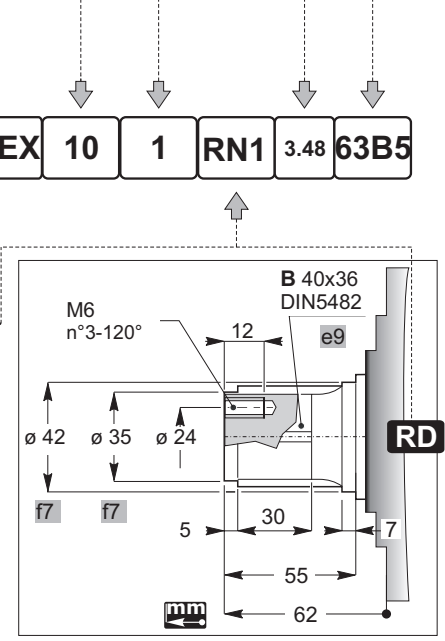
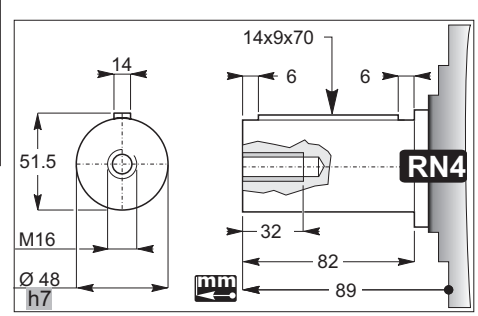
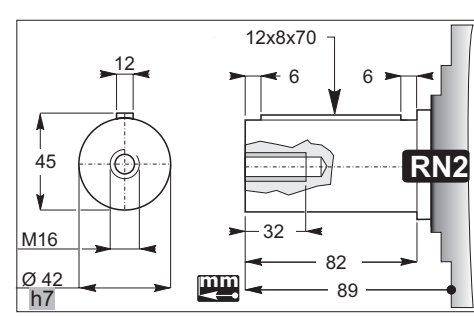
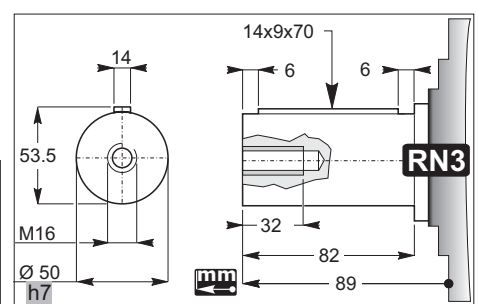
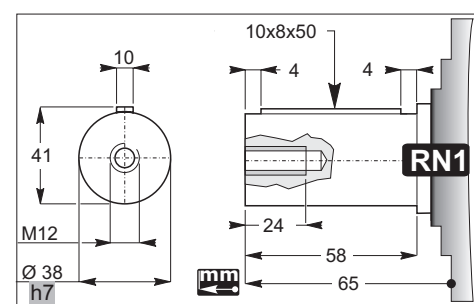
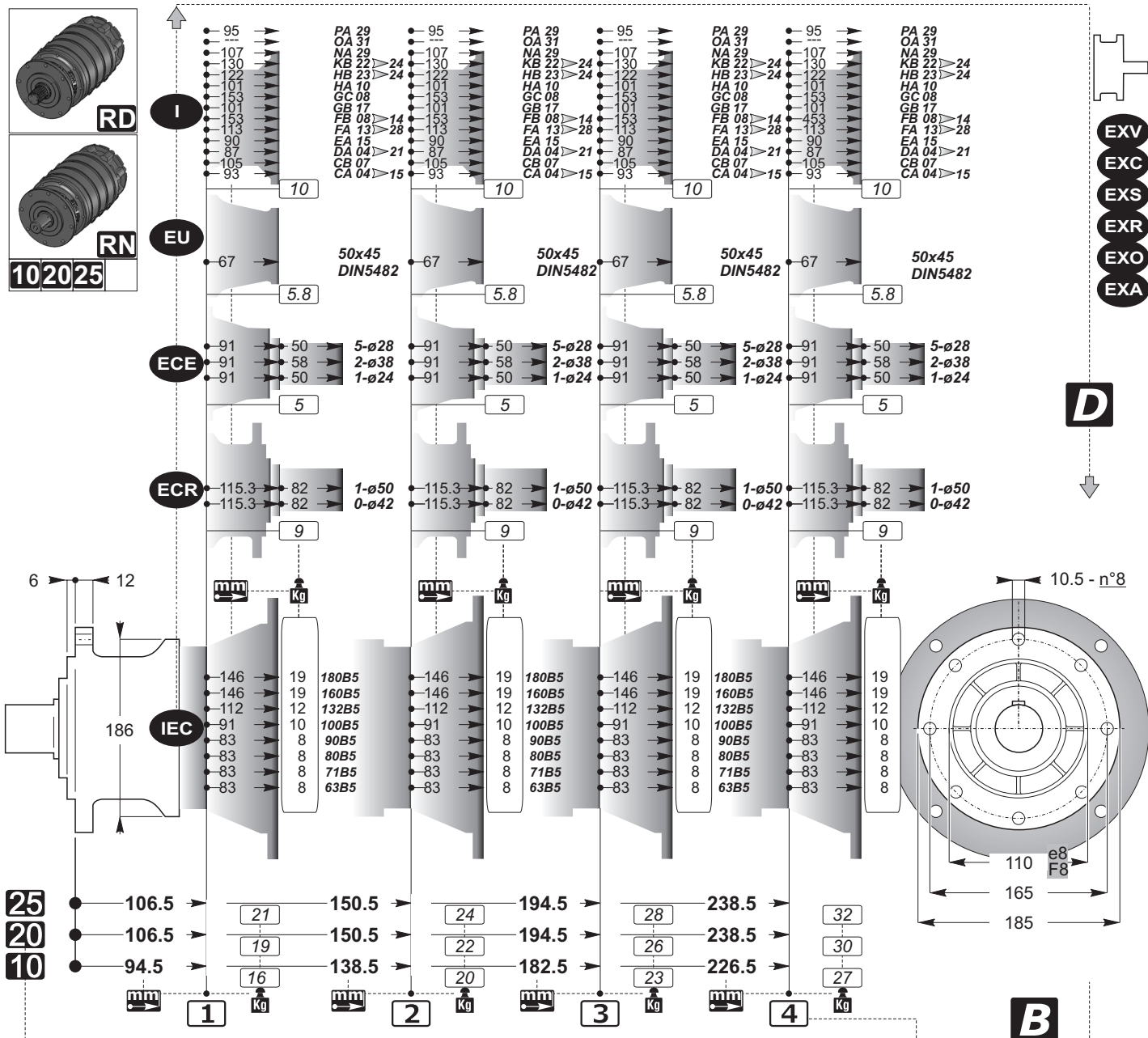


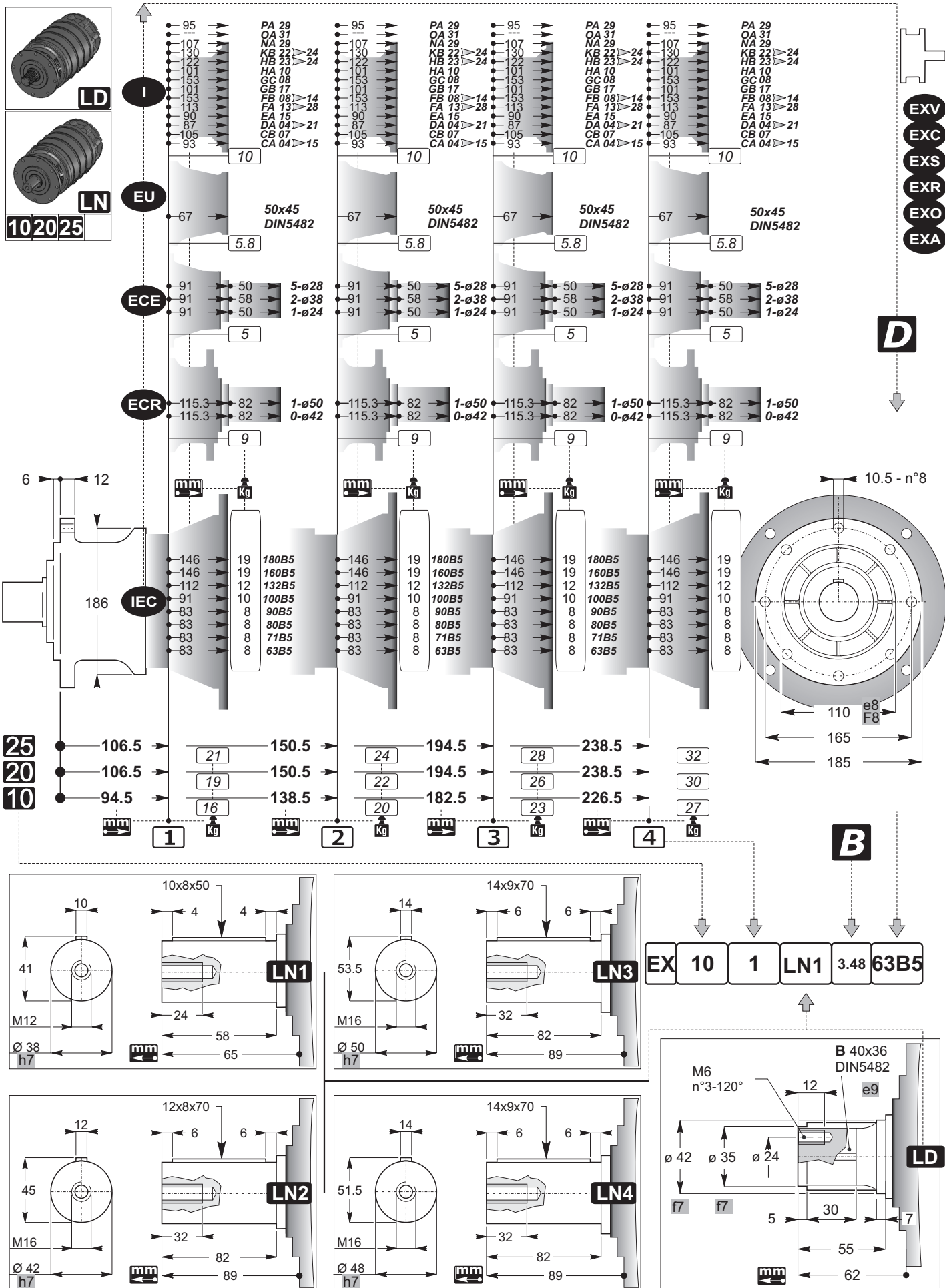


<b>RN</b> <b>RD</b>	<b>C2</b>	<b>C18</b>	<b>C42</b>	<b>C62</b>	<b>C80</b>						
<b>LN</b> <b>LD</b>	<b>C4</b>	<b>C20</b>									
<b>MN</b> <b>MD</b>	<b>C6</b>	<b>C22</b>	<b>C44</b>								
<b>MXN</b> <b>MXD</b>		<b>C24</b>									
<b>TN</b> <b>TD</b>		<b>C26</b>	<b>C46</b>	<b>C64</b>	<b>C82</b> <small>Under construction</small>	<b>C102</b>	<b>C114</b> <small>Under construction</small>				
<b>HN</b> <b>HD</b>					<b>C84</b>	<b>C104</b>	<b>C116</b>				
<b>XN</b> <b>XD</b>					<b>C86</b>						
<b>SN</b> <b>SD</b>								<b>C124</b>	<b>C138</b>	<b>C146</b>	
<b>SBN</b> <b>SBD</b>								<b>C126</b>			
<b>PN</b> <b>PD</b>	<b>C8</b>	<b>C28</b>	<b>C48</b>	<b>C66</b>	<b>C88</b>						
<b>PHN</b> <b>PHD</b>					<b>C90</b>	<b>C106</b>	<b>C118</b>				
<b>PXN</b> <b>PXD</b>					<b>C92</b> <small>Under construction</small>						
<b>PSN</b> <b>PSD</b>								<b>C128</b>	<b>C140</b>	<b>C148</b>	
<b>PSBN</b> <b>PSBD</b>								<b>C130</b>			
<b>F</b>	<b>C10</b>	<b>C30</b>	<b>C50</b>	<b>C68</b>							
<b>FB</b>			<b>C52</b>	<b>C70</b>							
<b>FP</b>		<b>C32</b>									
<b>FS</b> <b>FSB</b>	<b>C12</b>	<b>C34</b>	<b>C54</b>	<b>C72</b>	<b>C94</b>	<b>C108</b>	<b>C120</b>	<b>C132</b> <b>C134</b>	<b>C142</b>	<b>C150</b>	
<b>FC</b>	<b>C14</b>	<b>C36</b>	<b>C56</b>	<b>C74</b>							
<b>FCB</b>		<b>C38</b>	<b>C58</b>	<b>C76</b>	<b>C96</b>	<b>C110</b>					
<b>FU</b>	<b>C16</b>	<b>C40</b>	<b>C60</b>	<b>C78</b>	<b>C98</b>						
<b>HU</b>					<b>C100</b>	<b>C112</b>	<b>C122</b>				
<b>SU</b>								<b>C136</b>	<b>C144</b>	<b>C152</b>	
	<b>10</b> <b>20</b> <b>25</b>	<b>30</b> <b>40</b> <b>50</b> <b>70</b>	<b>80</b>	<b>90</b> <b>100</b>	<b>150</b> <b>180</b>	<b>250</b> <b>280</b>	<b>300</b>	<b>420</b>	<b>650</b>	<b>850</b>	

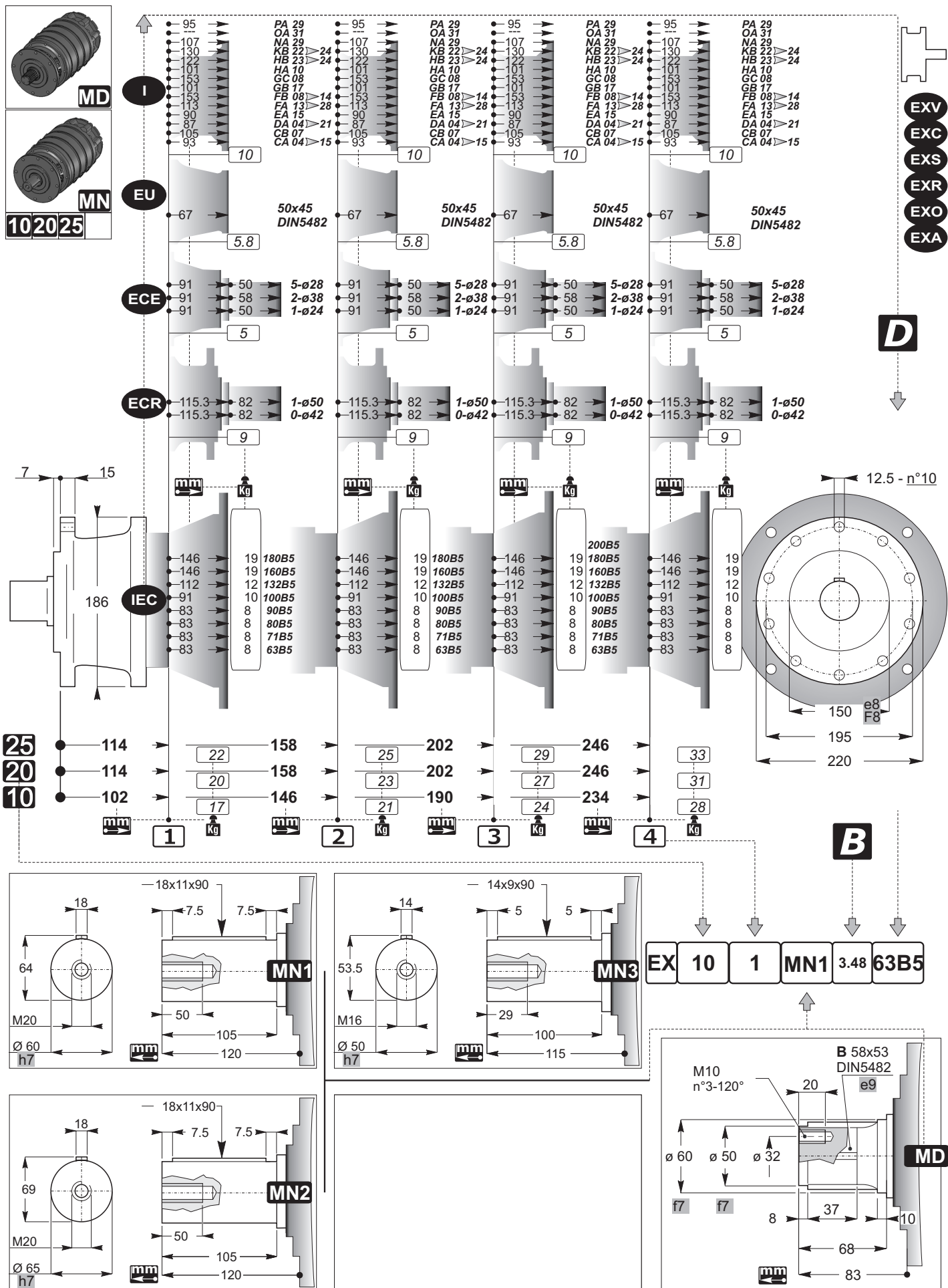
C

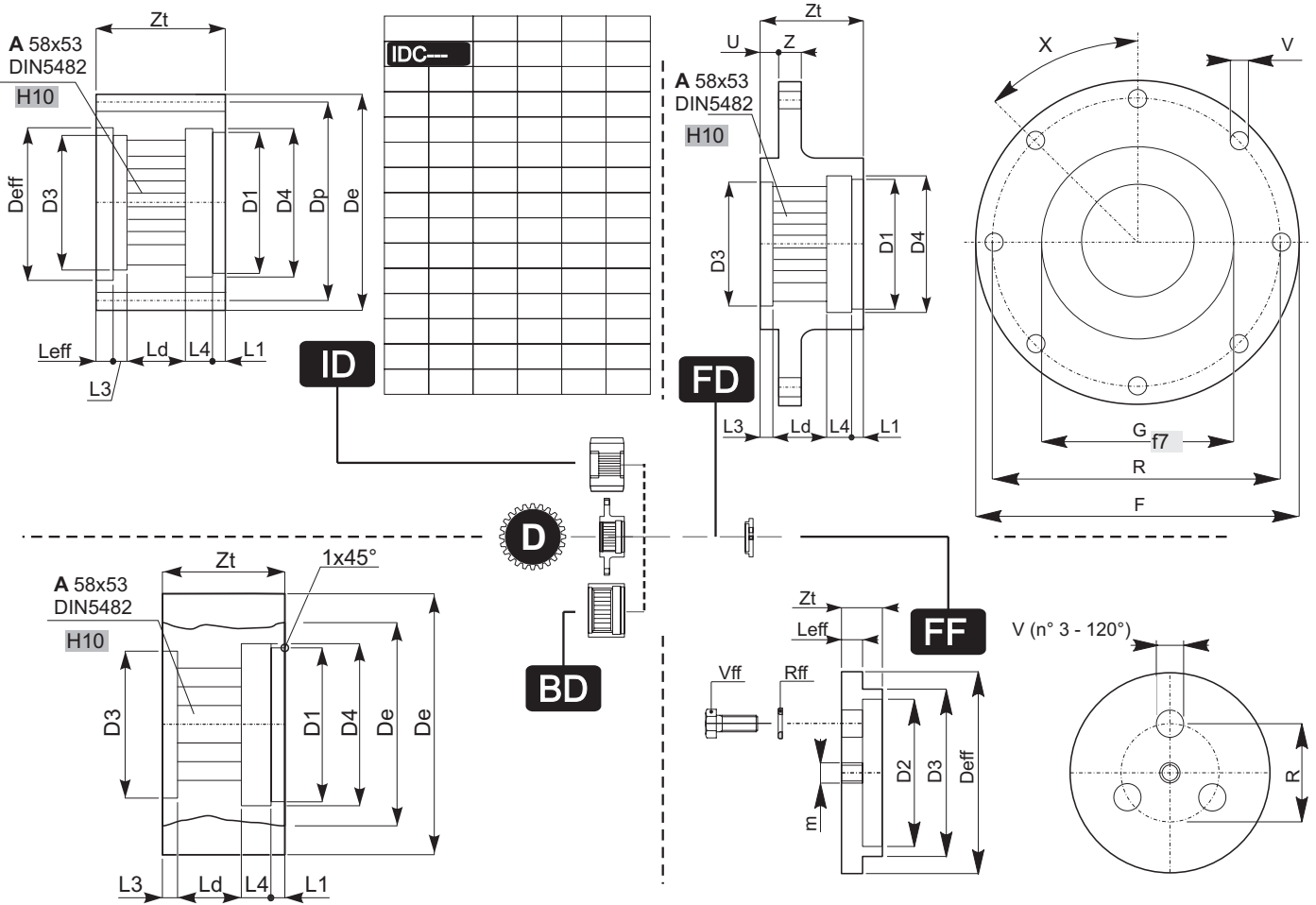






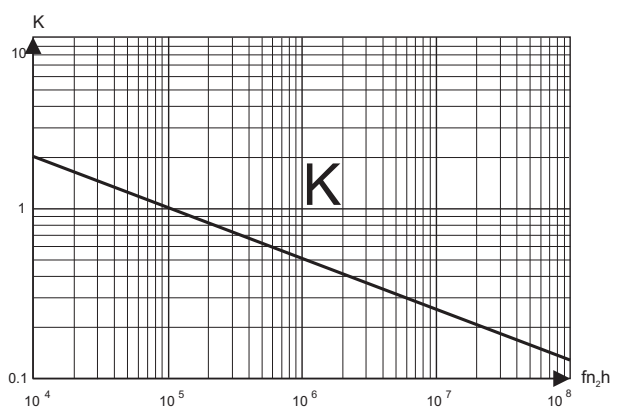
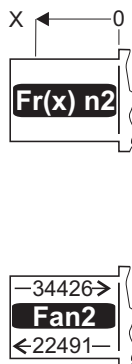
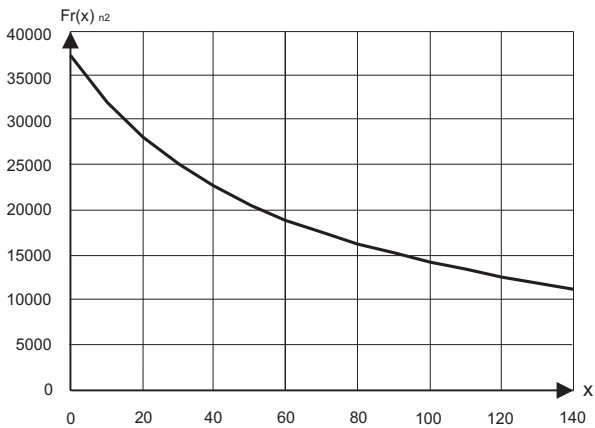
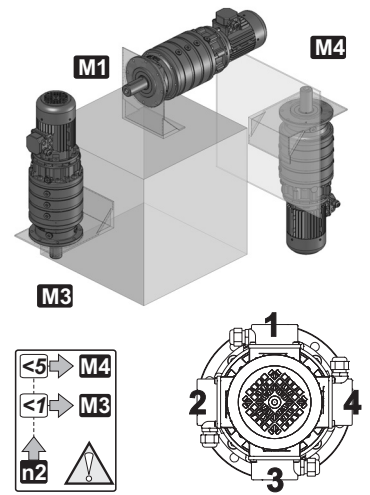


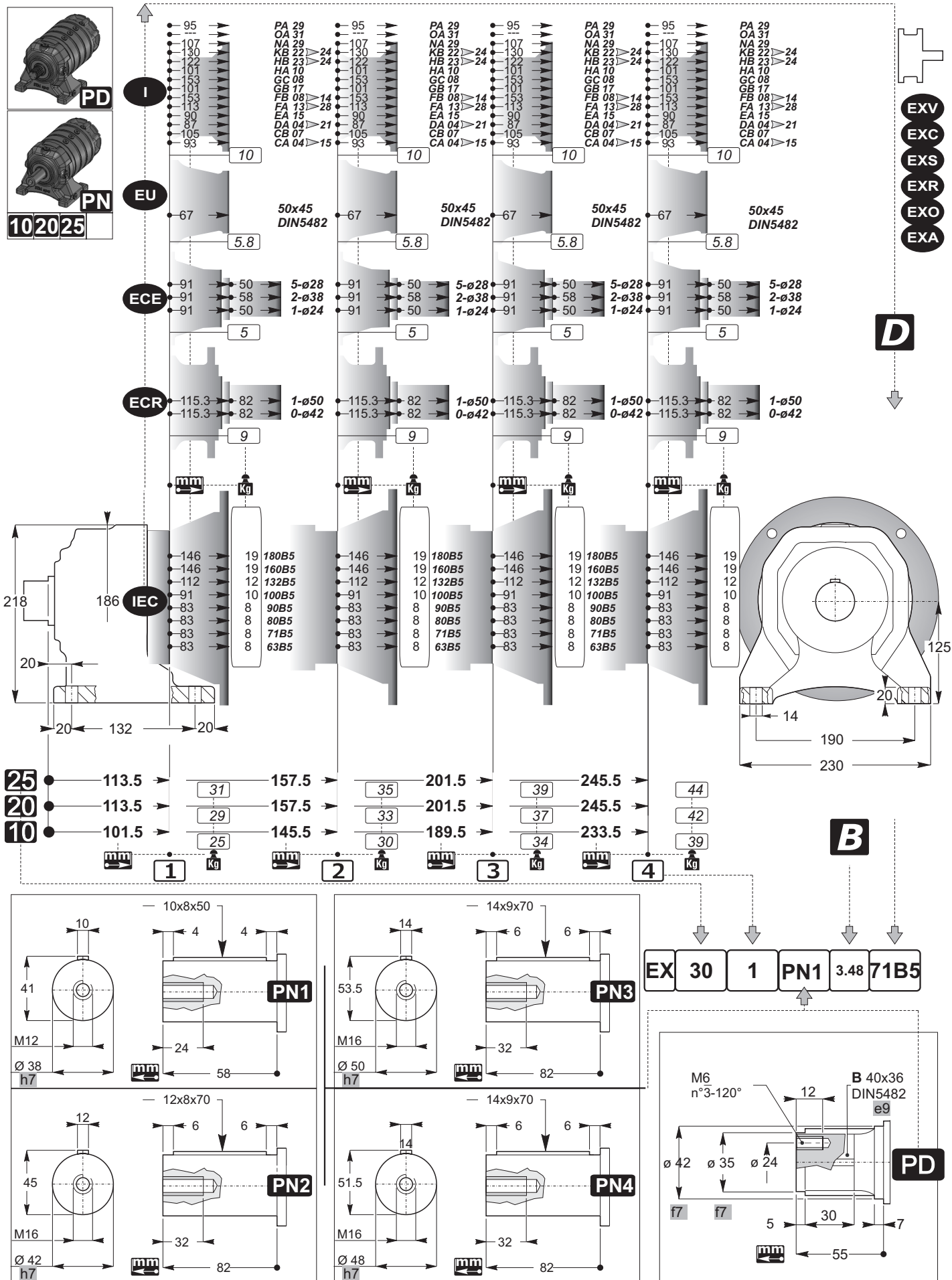




**L** **OT** **E**

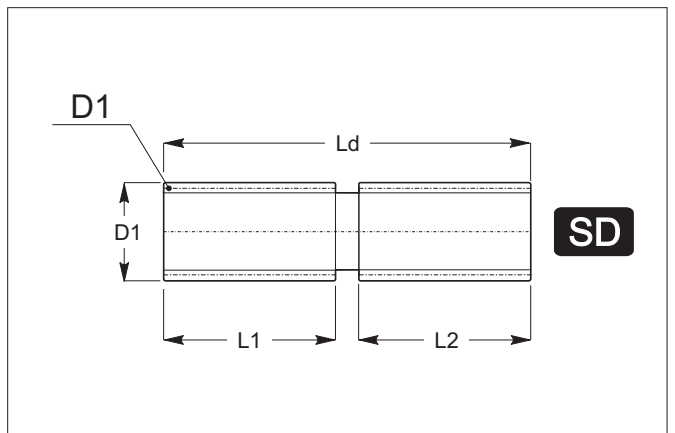
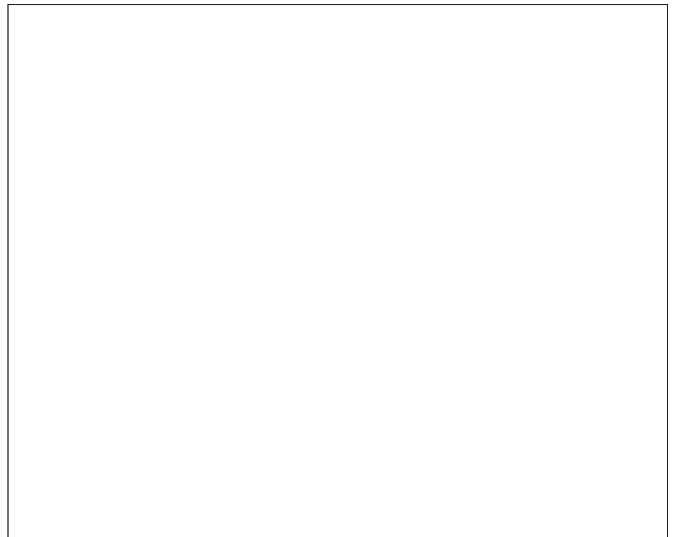
<b>M1</b>	<b>M2</b>	<b>M3</b>	<b>M4</b>	<b>M5</b>	<b>M6</b>
>5 25	0.7 0.9 1.1 1.3	1.2 1.6 2.0 2.4	1.1 1.5 1.9 2.2		
>5 20	0.8 1.0 1.2 1.4	1.3 1.7 2.1 2.5	1.2 1.6 2.0 2.3		
>5 10	0.7 0.9 1.1 1.3	1.2 1.5 1.9 2.3	1.1 1.4 1.8 2.1		
n2	1 2 3 4	1 2 3 4	1 2 3 4	1 2 3 4	1 2 3 4







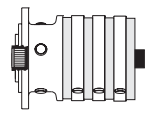
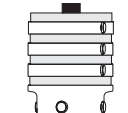
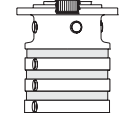


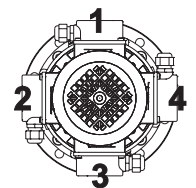
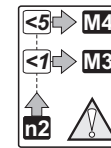
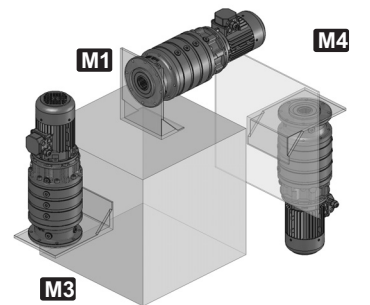


**C**

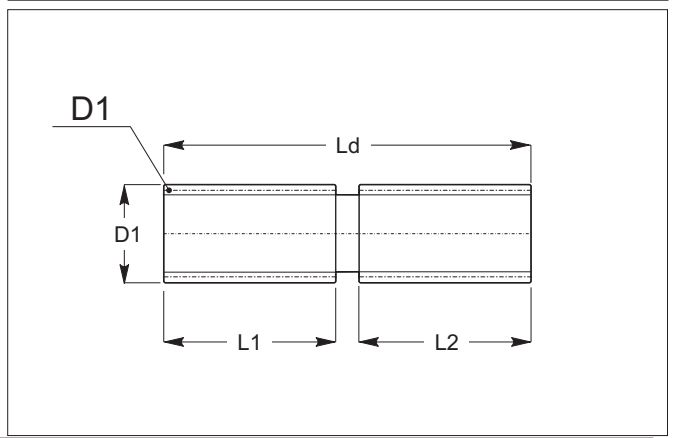
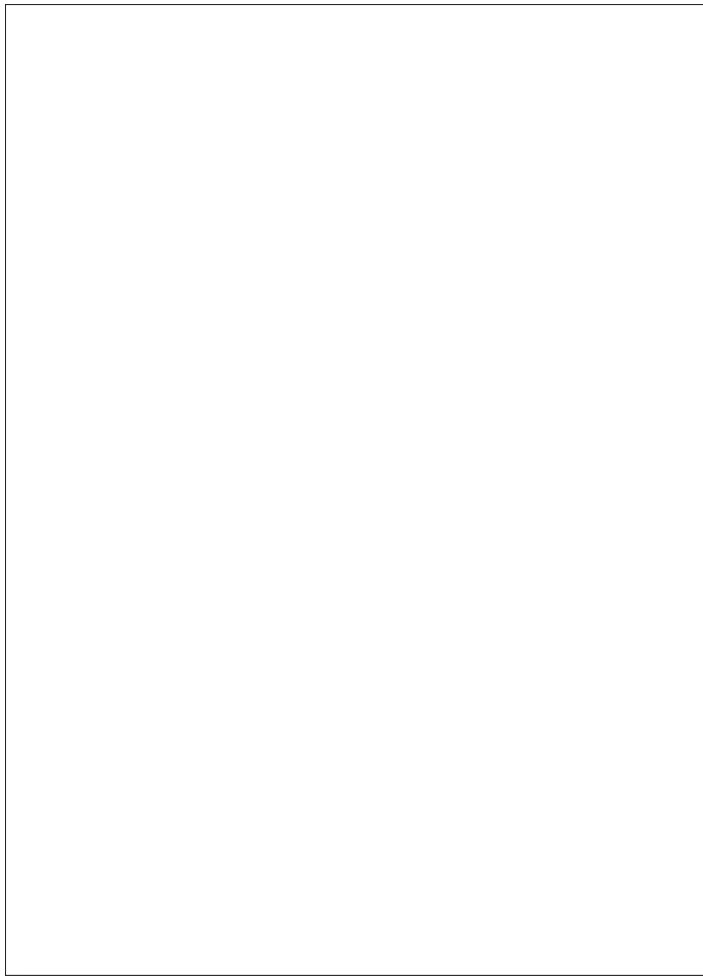


**OT E**

						
	<b>M1</b>	<b>M2</b>	<b>M3</b>	<b>M4</b>	<b>M5</b>	<b>M6</b>
>5 25	0.6 0.8 1.0 1.2		1.1 1.4 1.8 2.2	1.0 1.3 1.7 2.1		
>5 20	0.7 0.9 1.1 1.3		1.2 1.5 1.9 2.3	1.1 1.4 1.8 2.2		
>5 10	0.6 0.8 1.0 1.2		1.0 1.3 1.7 2.1	0.9 1.2 1.6 2.0		
n2	1 2 3 4	1 2 3 4	1 2 3 4	1 2 3 4	1 2 3 4	1 2 3 4



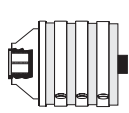

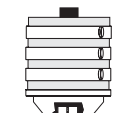



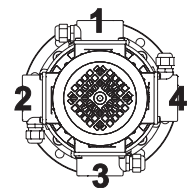
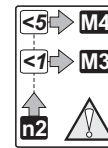
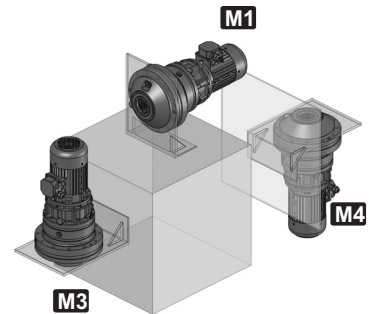


**C**

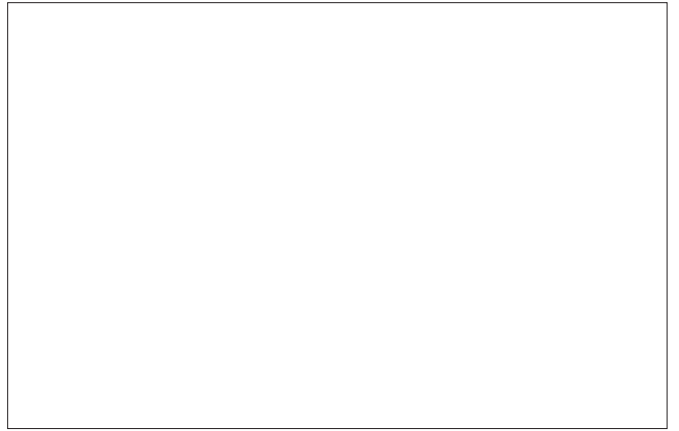
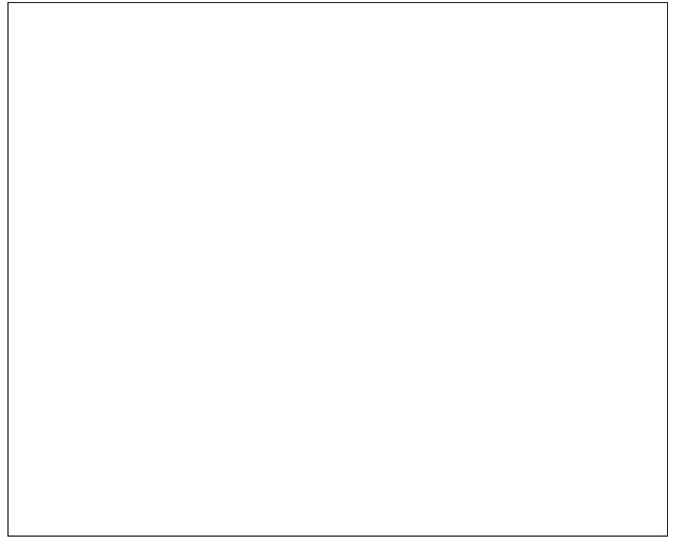


**OT E**

						
	<b>M1</b>	<b>M2</b>	<b>M3</b>	<b>M4</b>	<b>M5</b>	<b>M6</b>
$\geq 5$ <b>25</b>	0.5 0.7 0.9 1.1		0.7 1.2 1.5 1.9	0.7 1.1 1.4 1.8		
$\geq 5$ <b>20</b>	0.5 0.7 0.9 1.2		0.9 1.3 1.6 2.0	0.8 1.1 1.5 1.9		
$\geq 5$ <b>10</b>	0.4 0.6 0.8 1.1		0.7 1.1 1.4 1.8	0.6 1.0 1.3 1.7		
$n_2$	<b>1 2 3 4</b>	<b>1 2 3 4</b>	<b>1 2 3 4</b>	<b>1 2 3 4</b>	<b>1 2 3 4</b>	<b>1 2 3 4</b>

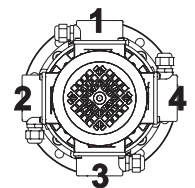
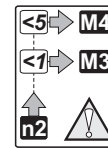
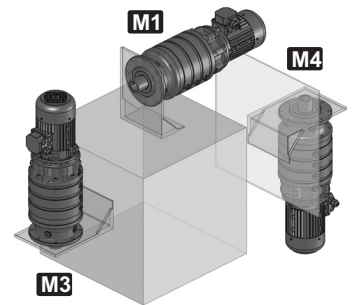


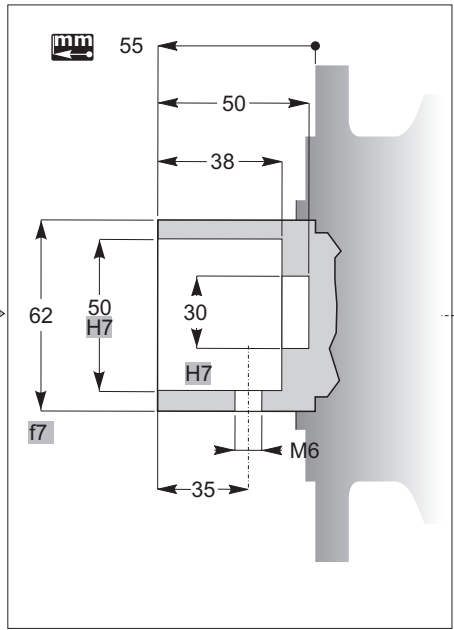
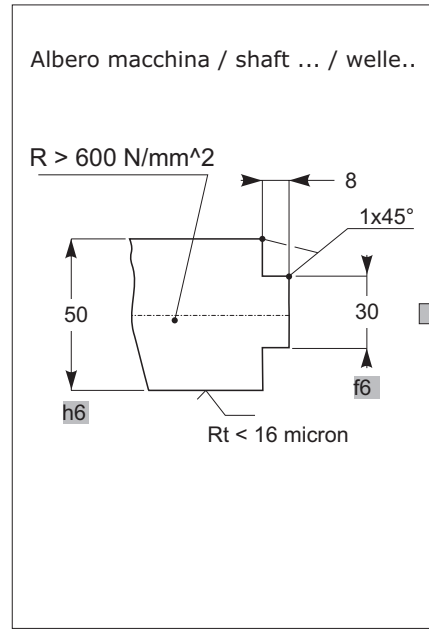
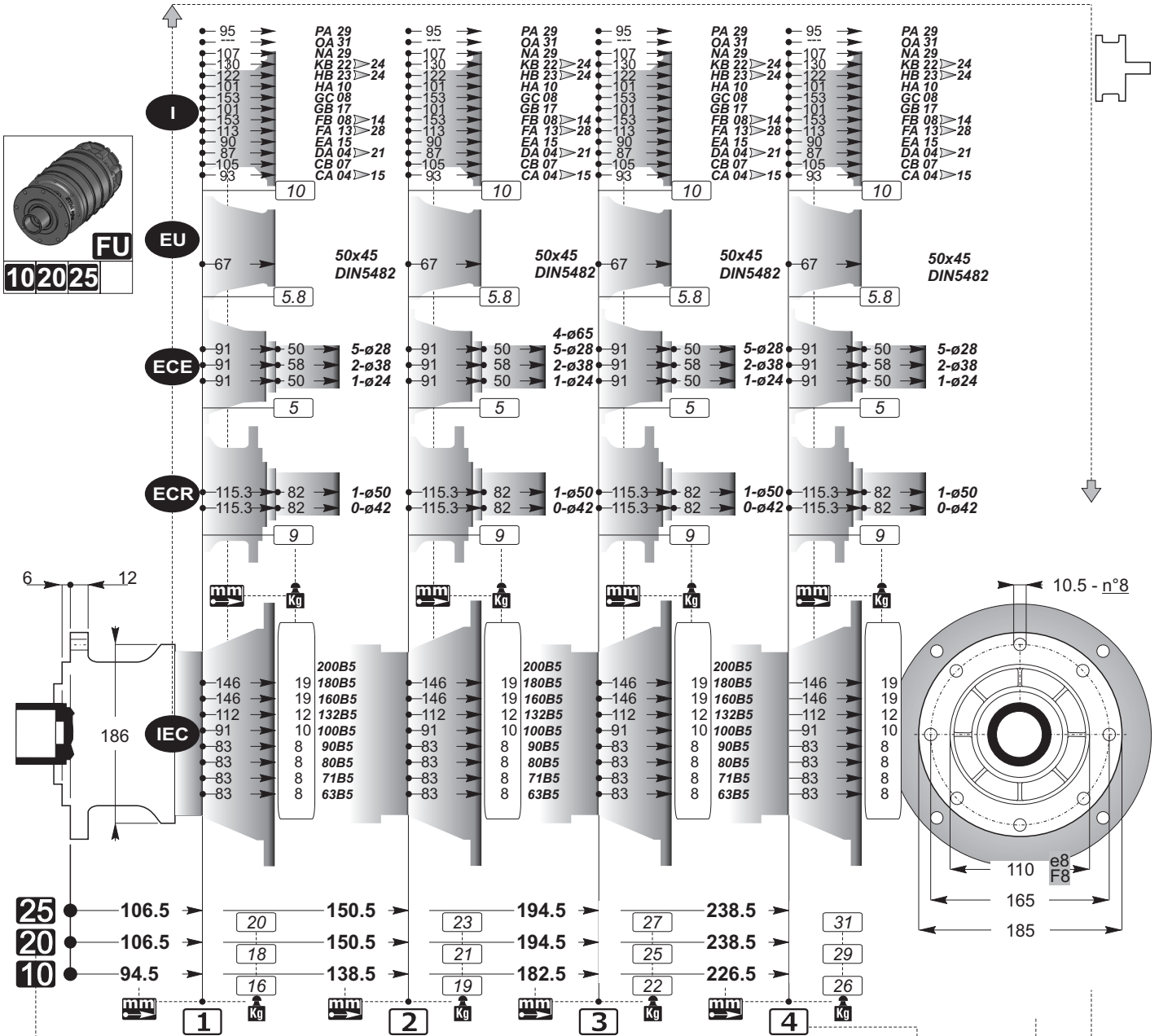


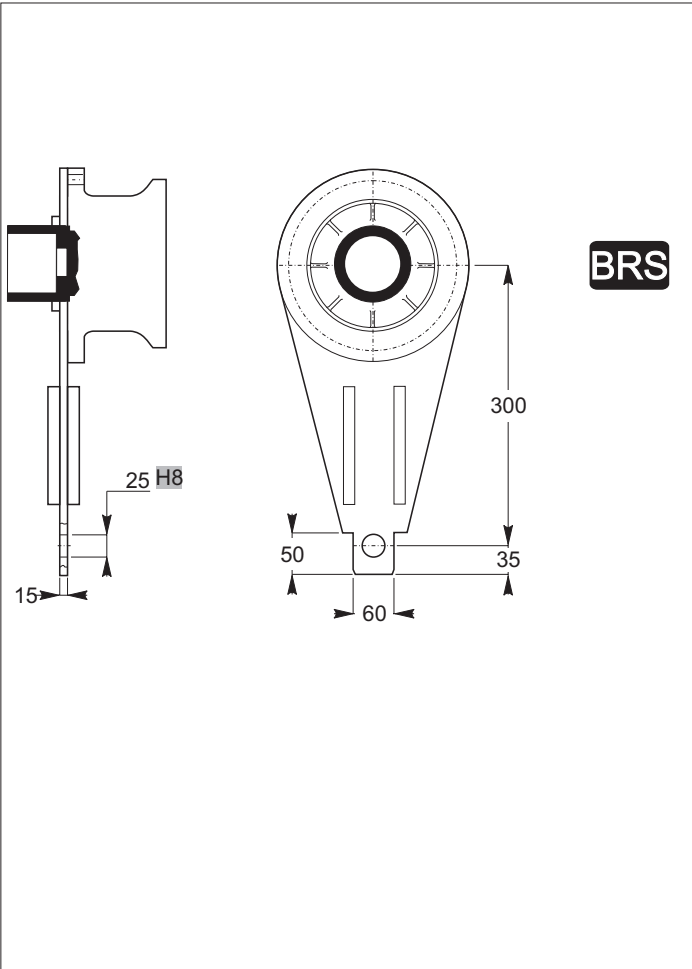


**OT E**

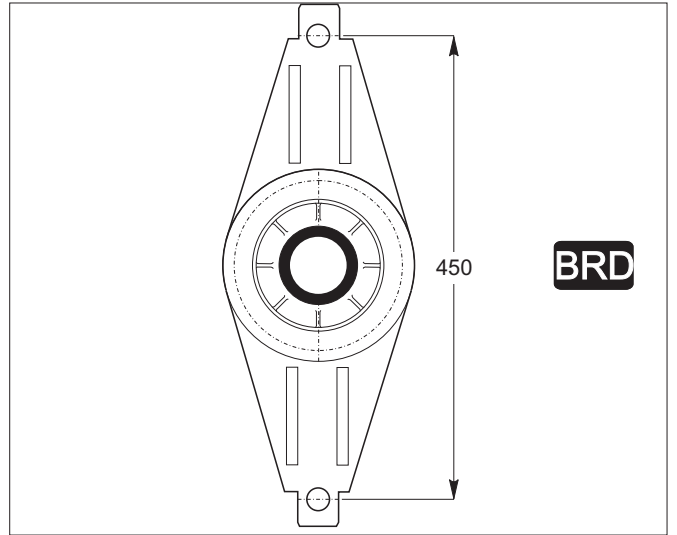
	M1	M2	M3	M4	M5	M6
>5 25	0.6 0.8 1.0 1.2		1.1 1.4 1.8 2.2	1.0 1.3 1.7 2.1		
>5 20	0.7 0.9 1.1 1.3		1.2 1.5 1.9 2.3	1.1 1.4 1.8 2.2		
>5 10	0.6 0.8 1.0 1.2		1.0 1.3 1.7 2.1	0.9 1.2 1.6 2.0		
n2	1 2 3 4	1 2 3 4	1 2 3 4	1 2 3 4	1 2 3 4	1 2 3 4



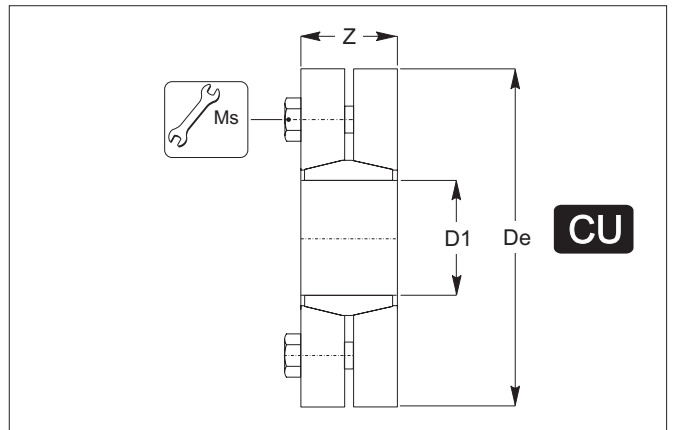




**BRS**



**BRD**



**CU**



**OT**

	<b>M1</b>	<b>M2</b>	<b>M3</b>	<b>M4</b>	<b>M5</b>	<b>M6</b>
$\geq 5$ <b>25</b>	0.6 0.8 1.0 1.2		1.1 1.4 1.8 2.2	1.0 1.3 1.7 2.1		
$\geq 5$ <b>20</b>	0.7 0.9 1.1 1.3		1.2 1.5 1.9 2.3	1.1 1.4 1.8 2.2		
$\geq 5$ <b>10</b>	0.6 0.8 1.0 1.2		1.0 1.3 1.7 2.1	0.9 1.2 1.6 2.0		
$\uparrow$ n2	<b>1 2 3 4</b>	<b>1 2 3 4</b>	<b>1 2 3 4</b>	<b>1 2 3 4</b>	<b>1 2 3 4</b>	<b>1 2 3 4</b>

