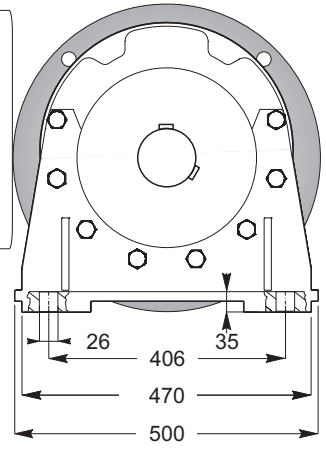
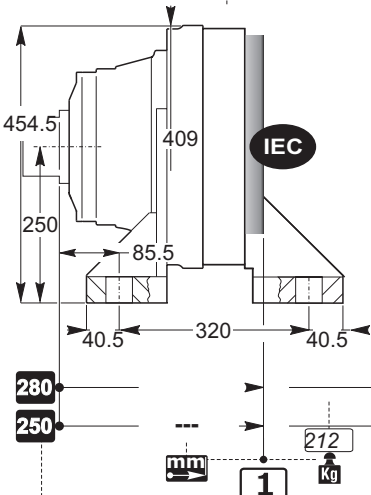
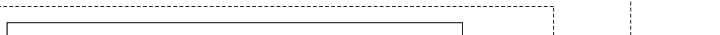
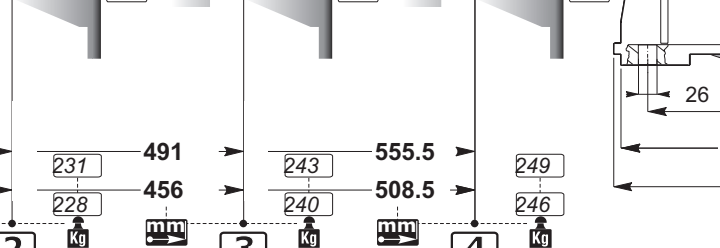
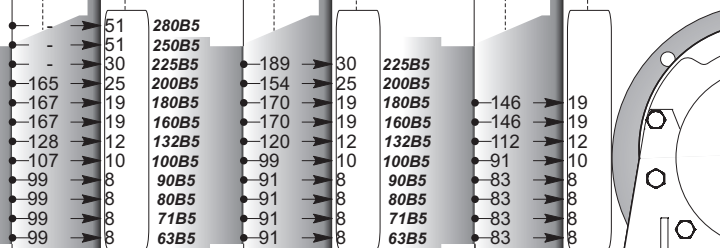
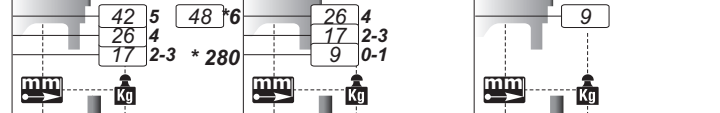
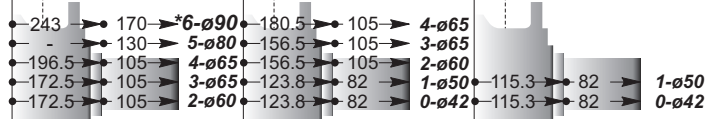
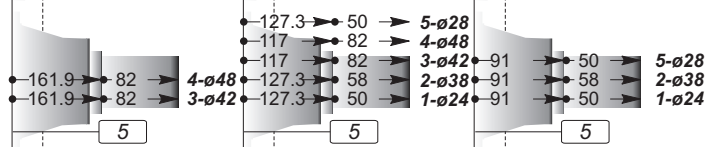
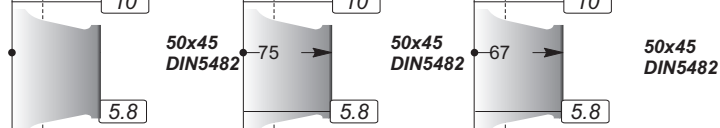
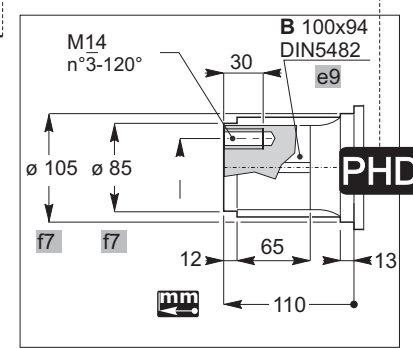
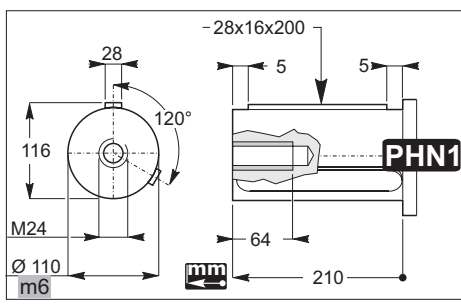


**I**  
**EU**  
**ECE**  
**ECR**

111 PA 29	103 PA 29	95 PA 29	PA 29
123 OA 31	115 OA 31	107 OA 31	OA 31
146 NA 29	138 NA 29	130 NA 29	NA 29
138 KB 22 > 24	130 KB 22 > 24	122 KB 22 > 24	KB 22 > 24
17 HA 10	109 HA 10	101 HA 10	HA 10
169 GC 08	161 GC 08	153 GC 08	GC 08
17 FB 08	109 FB 08	103 FB 08	FB 08
129 FA 13 > 28	121 FA 13 > 28	113 FA 13 > 28	FA 13 > 28
106 EA 15	98 EA 15	90 EA 15	EA 15
103 DA 04 > 21	95 DA 04 > 21	87 DA 04 > 21	DA 04 > 21
121 CB 07	113 CB 07	105 CB 07	CB 07
109 CA 04 > 15	101 CA 04 > 15	93 CA 04 > 15	CA 04 > 15



**EX 250 2 PHD 14.00 71B5**



**EXV**  
**EXC**  
**EXS**  
**EXR**  
**EXO**  
**EXA**

**D**





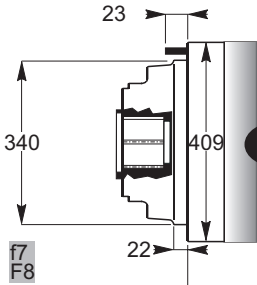
I

EU

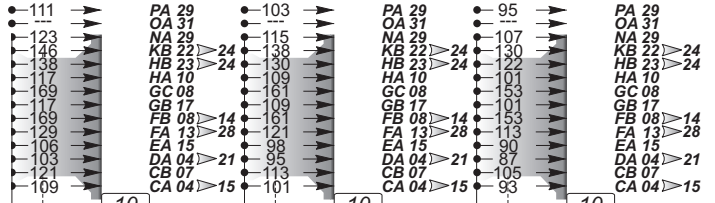
ECE

ECR

IEC

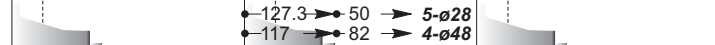


280  
250



50x45 DIN5482

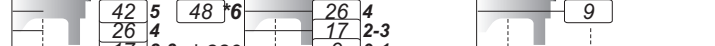
5.8



5



9



51 280B5, 30 225B5, 25 200B5, 19 180B5, 19 160B5, 12 132B5, 10 100B5, 8 90B5, 8 80B5, 8 71B5, 8 63B5

189, 154, 170, 170, 120, 99, 91, 91, 91, 91

30 225B5, 25 200B5, 19 180B5, 19 160B5, 12 132B5, 10 100B5, 8 90B5, 8 80B5, 8 71B5, 8 63B5

146, 146, 112, 91, 83, 83, 83, 83

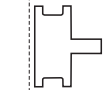
19, 19, 12, 10, 8, 8, 8, 8



222, 307, 371.5, 182

164, 272, 176, 324.5, 179

1, 2, 3, 4



EXV

EXC

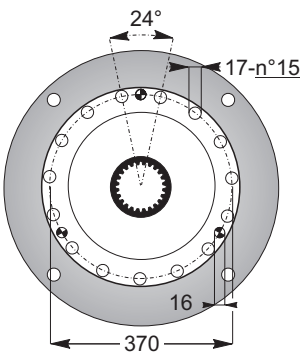
EXS

EXR

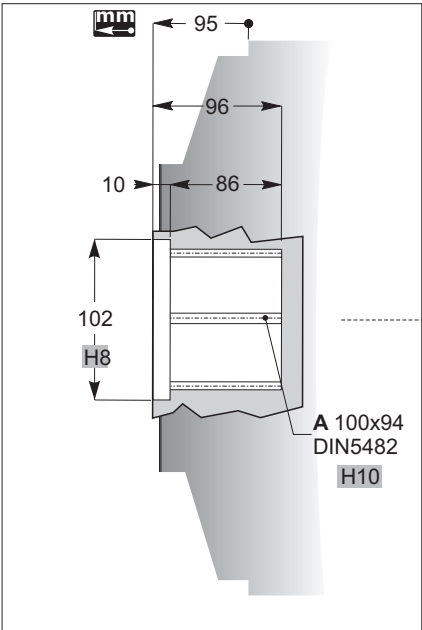
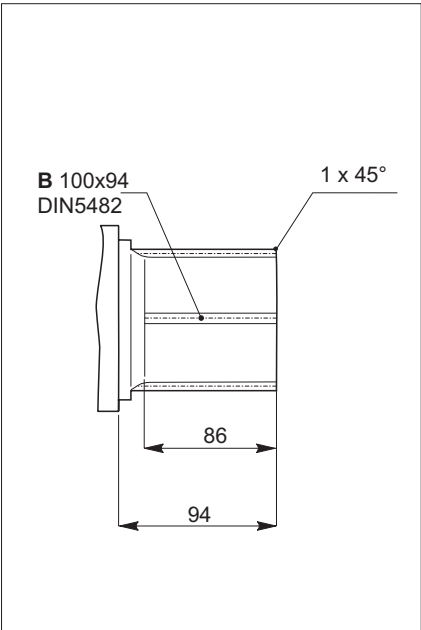
EXO

EXA

D

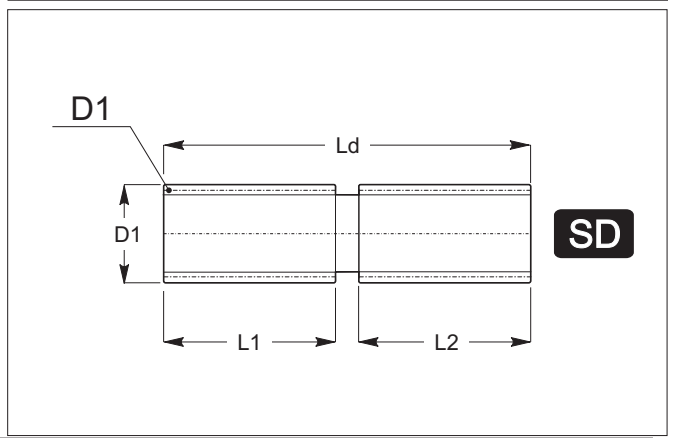
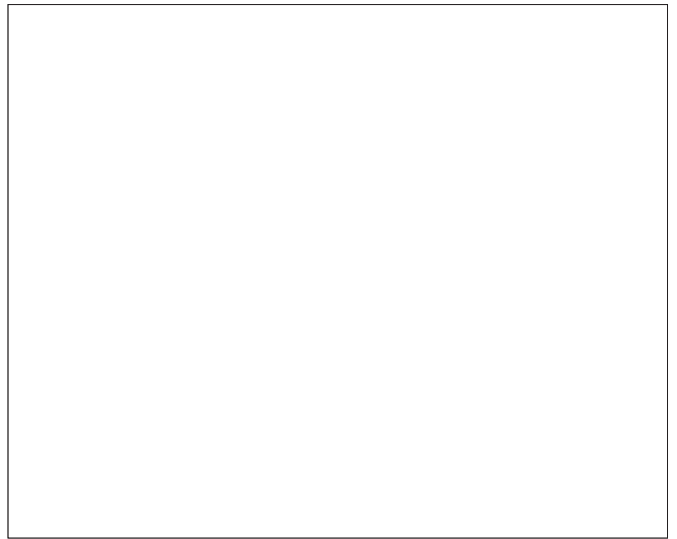


B



EX 250 2 FS 14.00 71B5

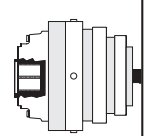
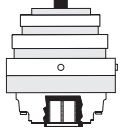
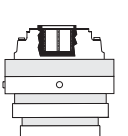
FS

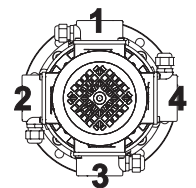
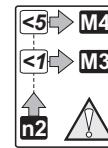
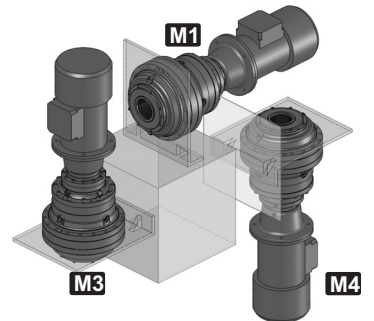


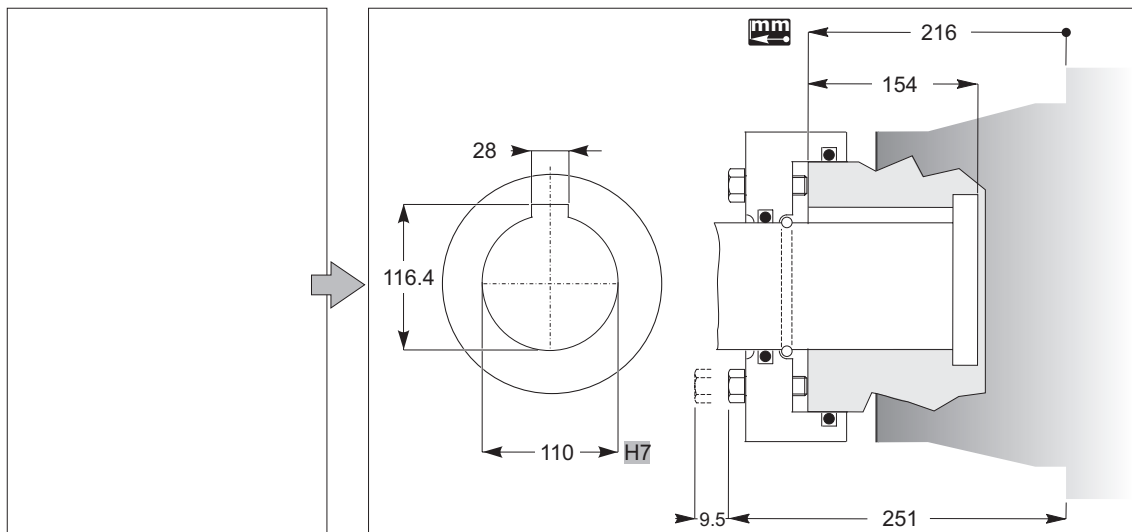
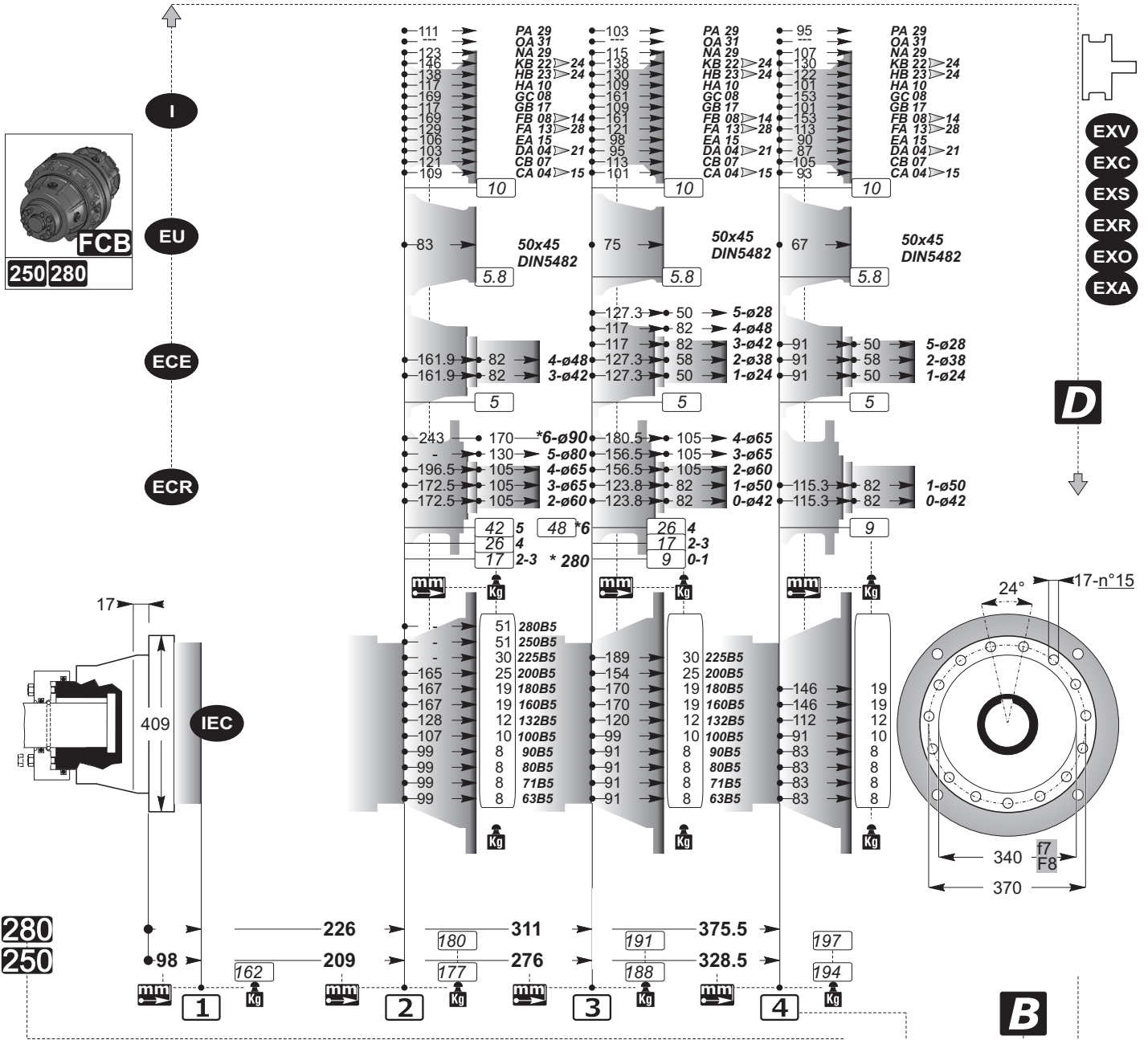
**C**



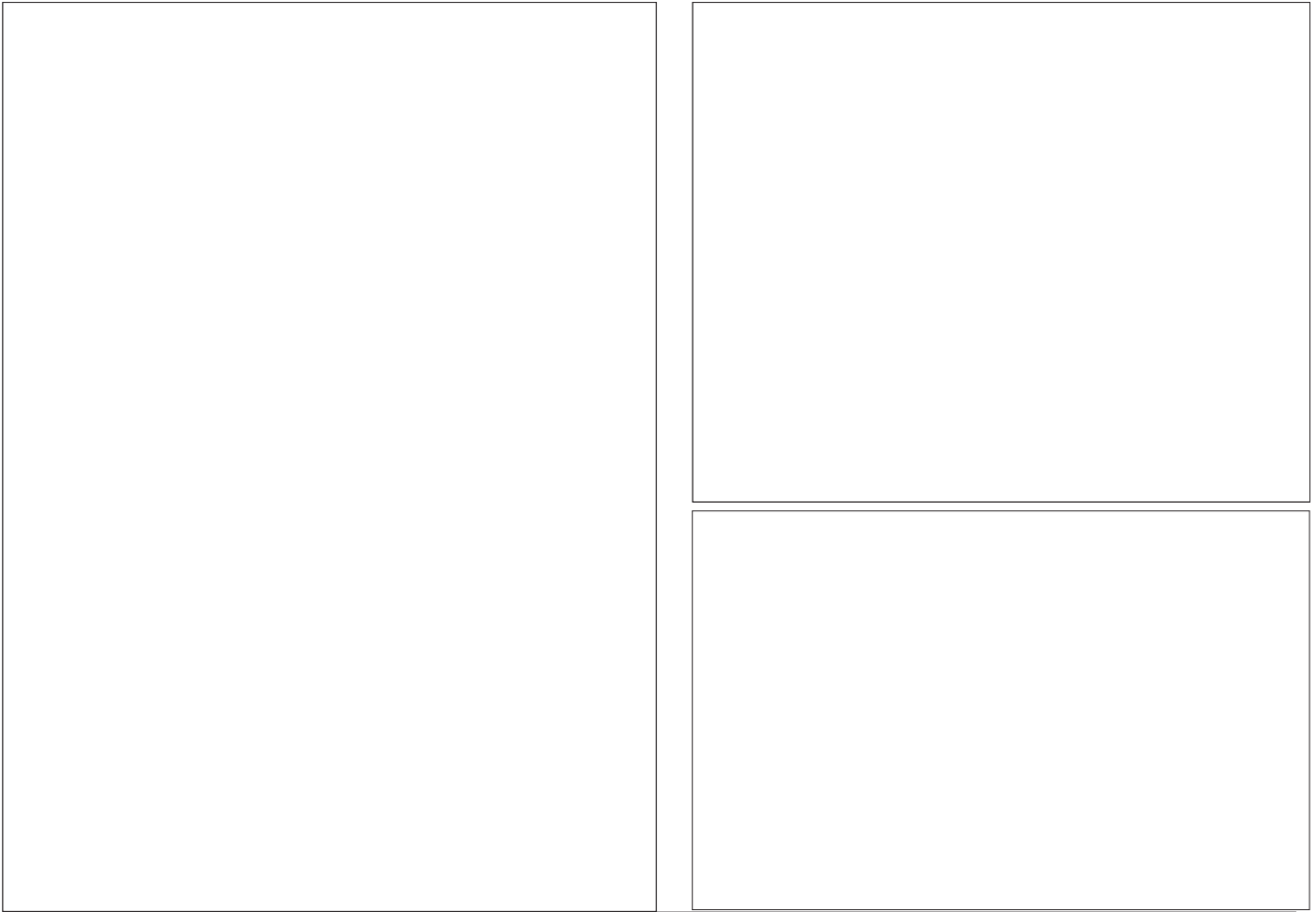
**OT E**

						
	<b>M1</b>	<b>M2</b>	<b>M3</b>	<b>M4</b>	<b>M5</b>	<b>M6</b>
$\geq 5$ <b>180</b>	3.9 5.0 5.2		6.7 8.7 9.0	6.3 8.2 8.6		
$\geq 5$ <b>150</b>	2.4 3.7 4.7 5.0		4.1 6.4 8.2 8.6	3.9 6.0 7.7 8.1		
$n_2$	<b>1 2 3 4</b>	<b>1 2 3 4</b>	<b>1 2 3 4</b>	<b>1 2 3 4</b>	<b>1 2 3 4</b>	<b>1 2 3 4</b>

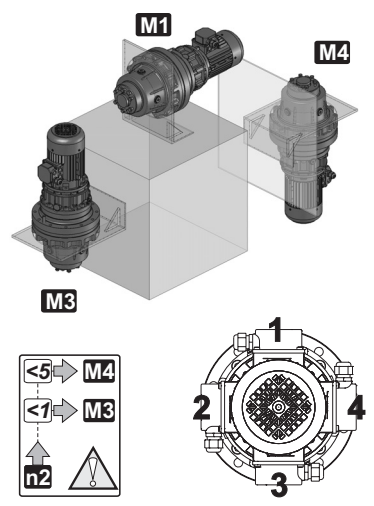




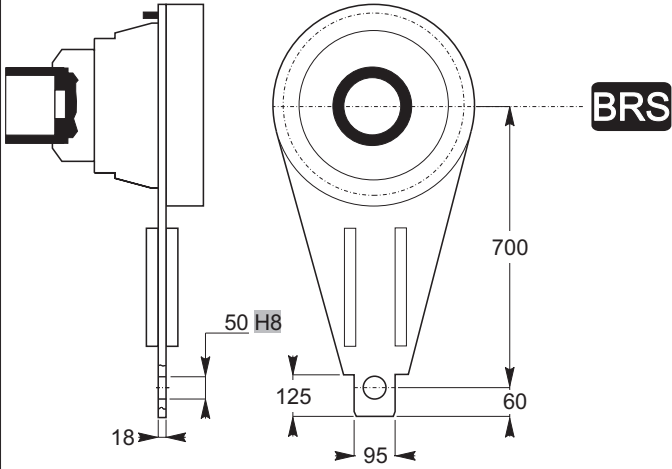
**C**



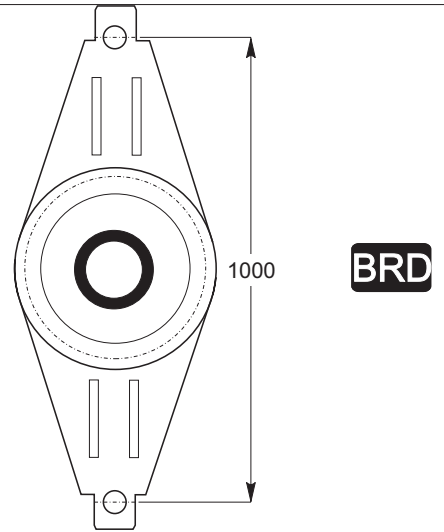
	OT				E			
	M1	M2	M3	M4	M5	M6		
>5 280	---	---	---	---	---	---		
>5 250	---	---	---	---	---	---		
n2	1 2 3 4	1 2 3 4	1 2 3 4	1 2 3 4	1 2 3 4	1 2 3 4		



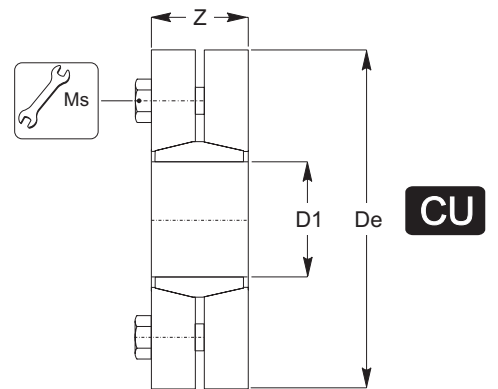




**BRS**



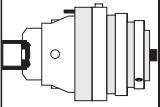
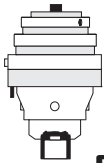
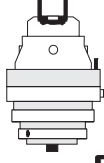
**BRD**



**CU**



**OT E**

						
	<b>M1</b>	<b>M2</b>	<b>M3</b>	<b>M4</b>	<b>M5</b>	<b>M6</b>
<b>&gt;5 280</b>	4.5 5.6 5.8		7.7 9.7 10	7.3 9.2 9.5		
<b>&gt;5 250</b>	2.8 4.3 5.3 5.6		5.1 7.4 9.2 9.6	4.9 7.0 8.7 9.1		
<b>n2</b>	<b>1 2 3 4</b>	<b>1 2 3 4</b>	<b>1 2 3 4</b>	<b>1 2 3 4</b>	<b>1 2 3 4</b>	<b>1 2 3 4</b>

