

I
EU
ECE
ECR

- | | |
|------------------|------------------|
| 111 → PA 29 | 103 → PA 29 |
| 123 → OA 31 | 115 → OA 31 |
| 46 → NA 29 | 138 → NA 29 |
| 38 → KB 22 > 24 | 130 → KB 22 > 24 |
| 17 → HB 23 > 24 | 100 → HB 23 > 24 |
| 169 → HA 10 | 61 → HA 10 |
| 17 → GC 08 | 109 → GC 08 |
| 69 → GB 17 | 161 → GB 17 |
| 29 → FB 08 > 14 | 121 → FB 08 > 14 |
| 106 → FA 13 > 28 | 98 → FA 13 > 28 |
| 103 → EA 15 | 113 → EA 15 |
| 121 → DA 04 > 21 | 35 → DA 04 > 21 |
| 109 → CB 07 | 113 → CB 07 |
| | 101 → CA 04 > 15 |

- EXV
EXC
EXS
EXR
EXO
EXA

50x45 DIN5482 75 50x45 DIN5482

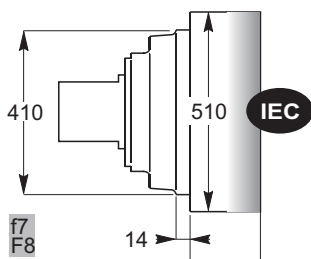
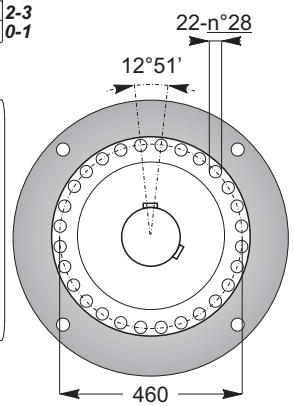
- | | |
|--------------------|--|
| 127.3 → 50 → 5-ø28 | |
| 117 → 82 → 4-ø48 | |
| 117 → 82 → 3-ø42 | |
| 127.3 → 58 → 2-ø38 | |
| 127.3 → 50 → 1-ø24 | |

D

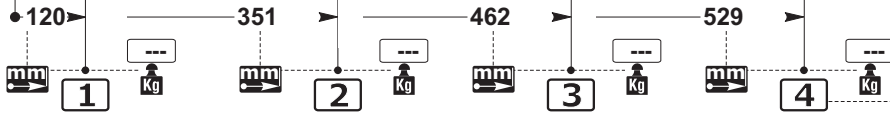
- | | |
|---------------------|---------------------|
| 130 → 5-ø80 | 180.5 → 105 → 4-ø65 |
| 196.5 → 105 → 4-ø65 | 156.5 → 105 → 3-ø65 |
| 172.5 → 105 → 3-ø65 | 156.5 → 105 → 2-ø60 |
| 172.5 → 105 → 2-ø60 | 123.8 → 82 → 1-ø50 |
| | 123.8 → 82 → 0-ø42 |

- | | | |
|--------|--------|-------|
| 42 5 | 26 4 | 26 4 |
| 17 2-3 | 17 2-3 | 9 0-1 |

- | | |
|-----------|----------|
| 51 280B5 | 189 → 30 |
| 51 250B5 | 154 → 25 |
| 30 225B5 | 170 → 19 |
| 165 200B5 | 170 → 19 |
| 167 180B5 | 120 → 12 |
| 167 160B5 | 99 → 10 |
| 128 132B5 | 99 → 8 |
| 107 100B5 | 91 → 8 |
| 99 90B5 | 91 → 8 |
| 99 80B5 | 91 → 8 |
| 99 71B5 | 91 → 8 |
| 99 63B5 | 91 → 8 |

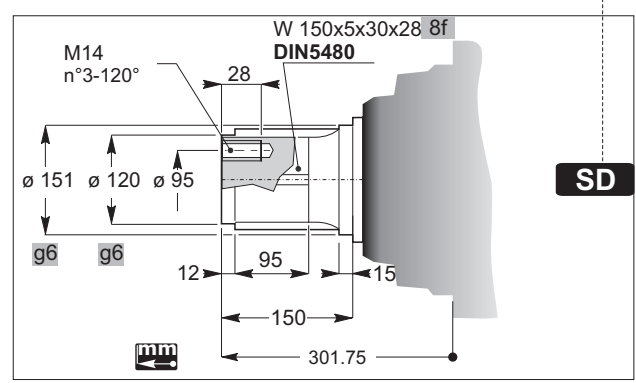
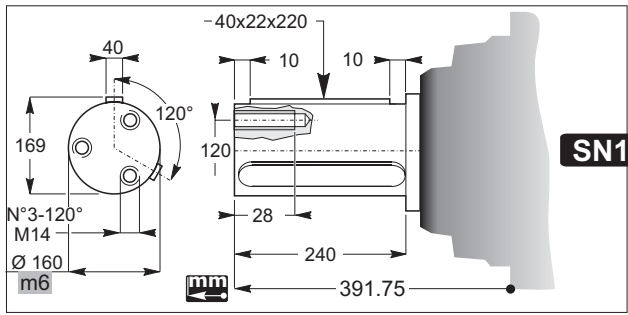


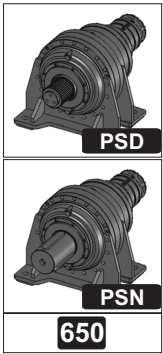
650



B

EX 650 3 SN1 131.5 71B5





I
EU
ECE
ECR

- | | |
|------------------|------------------|
| 111 → PA 29 | 103 → PA 29 |
| 123 → OA 31 | 115 → OA 31 |
| 146 → NA 29 | 138 → NA 29 |
| 139 → KB 22 > 24 | 139 → KB 22 > 24 |
| 169 → HA 10 | 161 → HA 10 |
| 17 → GC 08 | 109 → GC 08 |
| 169 → FB 08 > 14 | 161 → FB 08 > 14 |
| 129 → FA 13 > 28 | 121 → FA 13 > 28 |
| 106 → EA 15 | 98 → EA 15 |
| 103 → DA 04 > 21 | 95 → DA 04 > 21 |
| 109 → CB 07 | 113 → CB 07 |
| 109 → CA 04 > 15 | 101 → CA 04 > 15 |

- EXV**
EXC
EXS
EXR
EXO
EXA

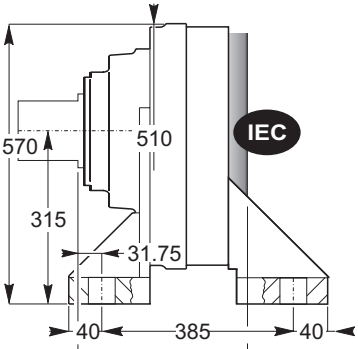
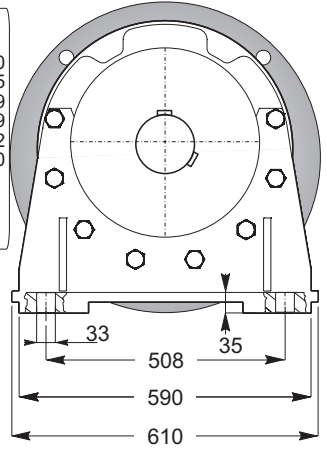
83 → 50x45 DIN5482
5.8
75 → 50x45 DIN5482
5.8

127.3 → 50 → 5-ø28
117 → 82 → 4-ø48
117 → 82 → 3-ø42
127.3 → 58 → 2-ø38
127.3 → 50 → 1-ø24

130 → 5-ø80
196.5 → 105 → 4-ø65
172.5 → 105 → 3-ø65
172.5 → 105 → 2-ø60

180.5 → 105 → 4-ø65
156.5 → 105 → 3-ø65
123.8 → 82 → 1-ø50
123.8 → 82 → 0-ø42

51	280B5	189	30
51	250B5	154	25
30	225B5	170	19
165	200B5	170	19
167	180B5	120	12
167	160B5	99	10
128	132B5	91	8
107	100B5	91	8
99	90B5	91	8
99	80B5	91	8
99	71B5	91	8
99	63B5	91	8

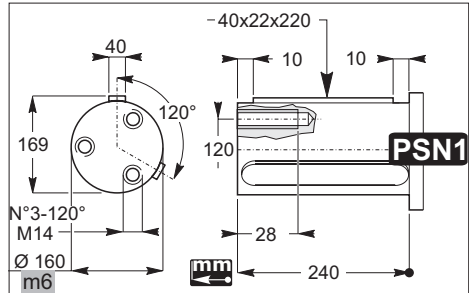


650 ● 271.75 ● 502.75 ● 613.75 ● 680.75 ●

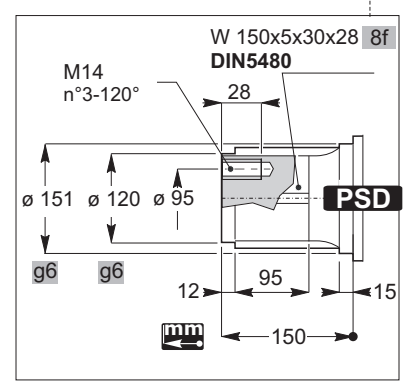
1 **2** **3** **4**

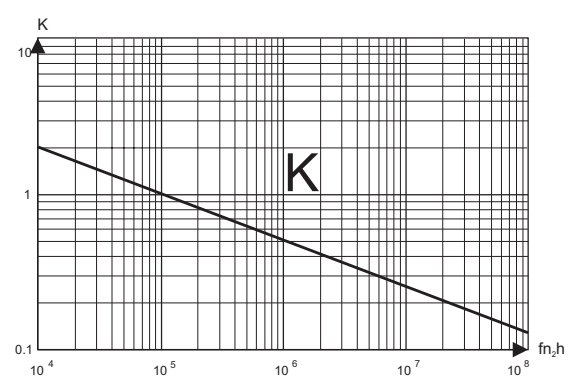
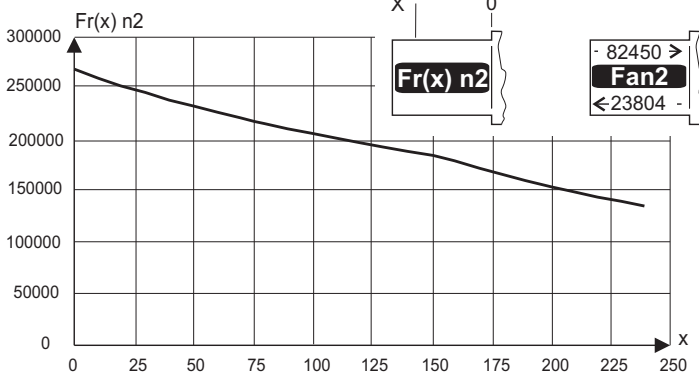
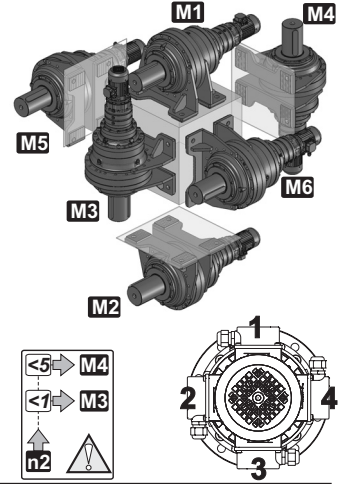
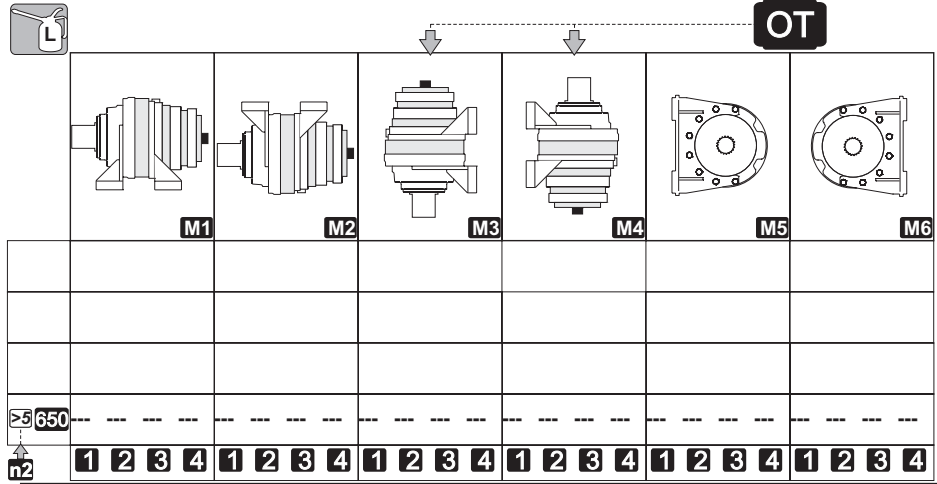
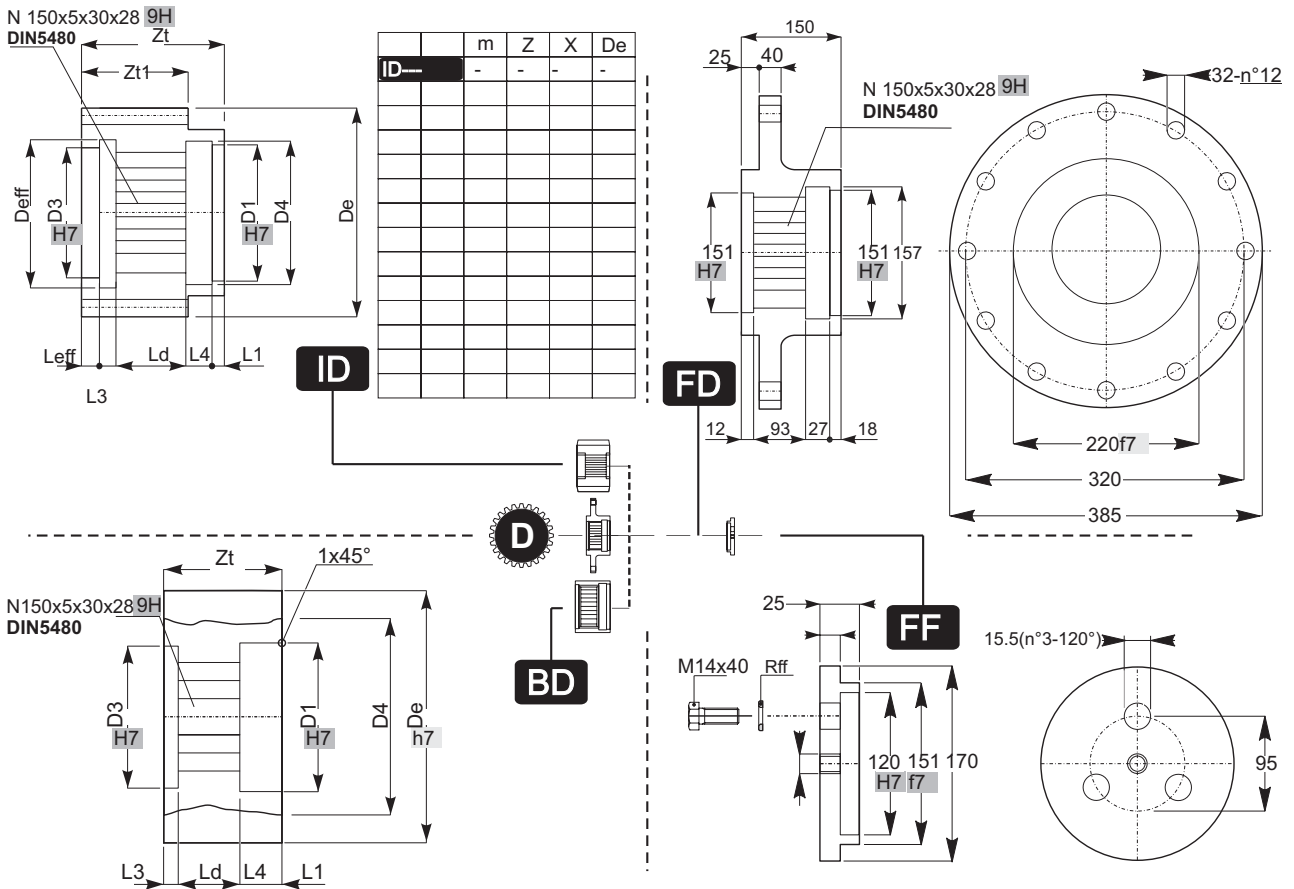
D

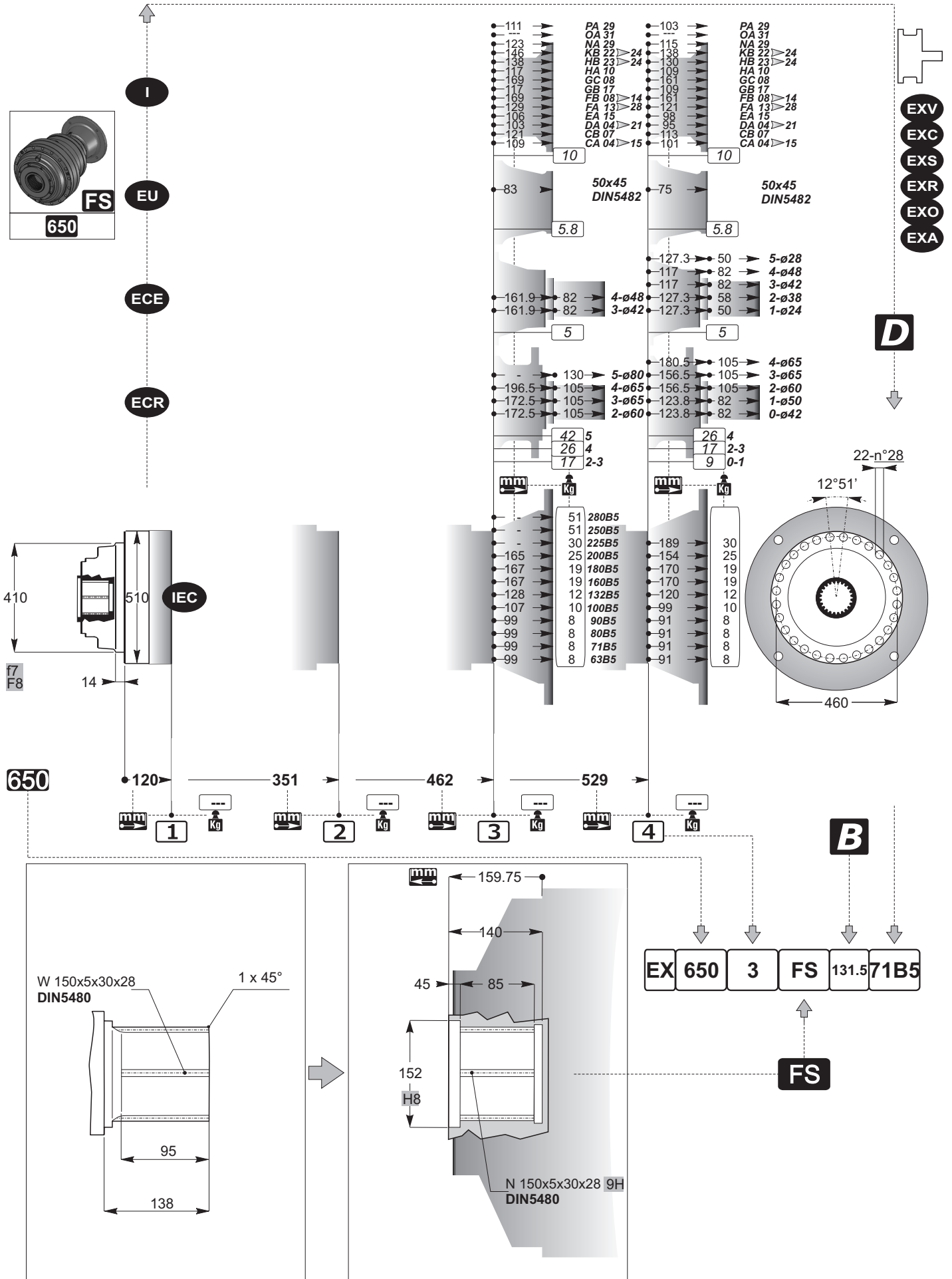
B

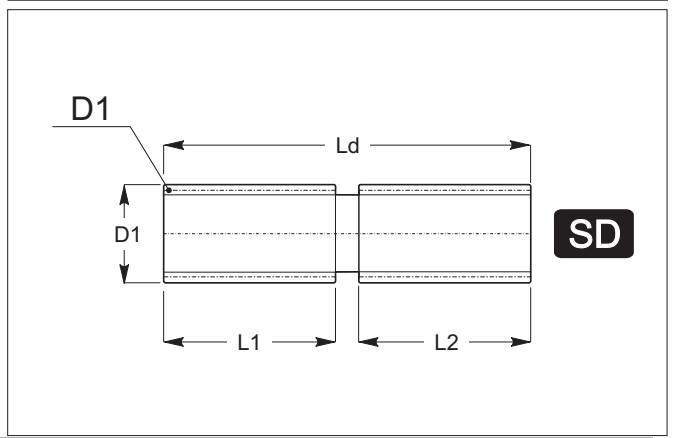
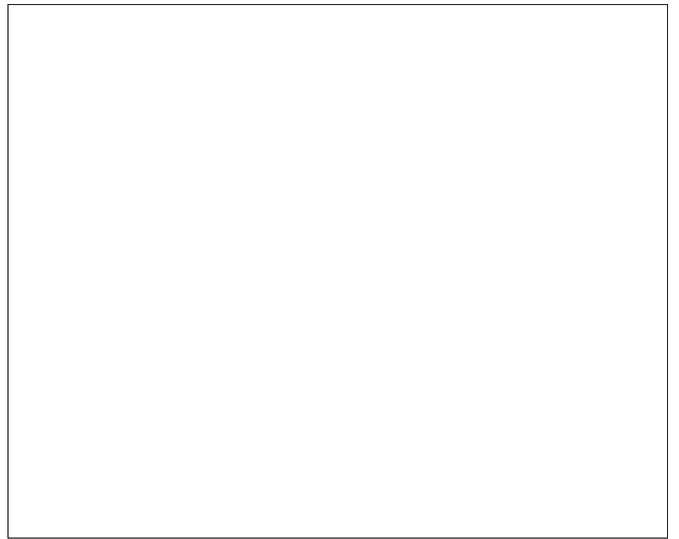


EX 650 3 PSD 131.5 71B5





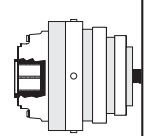
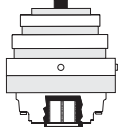
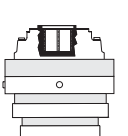


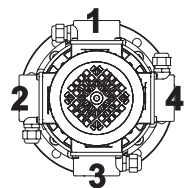
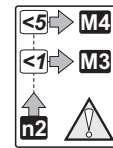
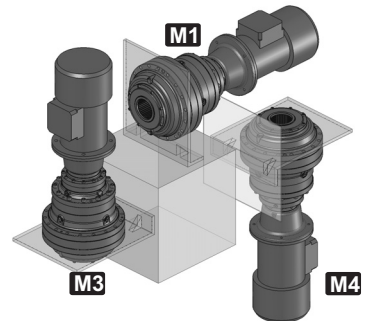


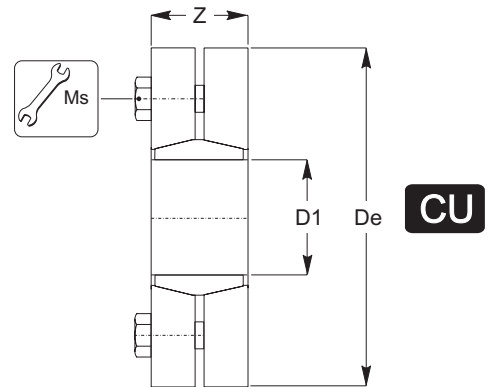
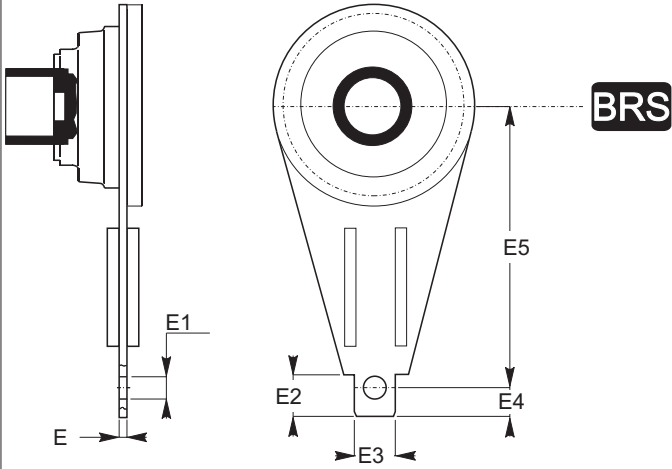
C



OT E

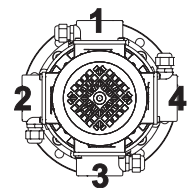
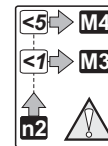
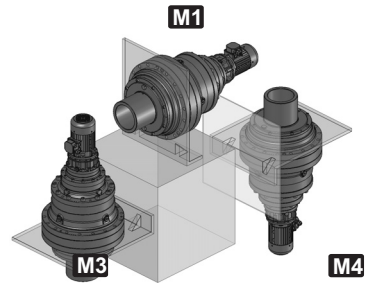
						
	M1		M2	M3	M4	M5
>5 650	---	---	---	---	---	---
n2	1 2 3 4	1 2 3 4	1 2 3 4	1 2 3 4	1 2 3 4	1 2 3 4





OT E

M1	M2	M3	M4	M5	M6
>5 650	---	---	---	---	---
n2	1 2 3 4	1 2 3 4	1 2 3 4	1 2 3 4	1 2 3 4



C