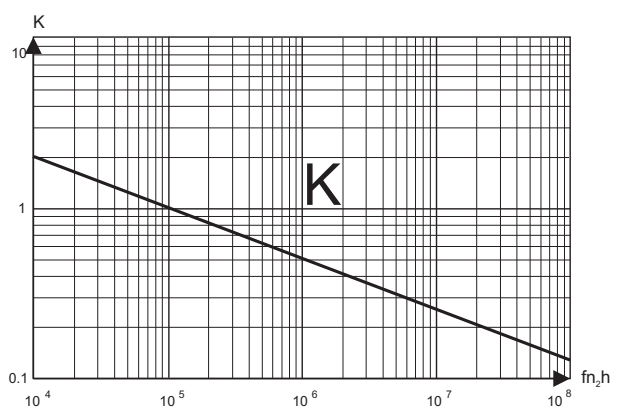
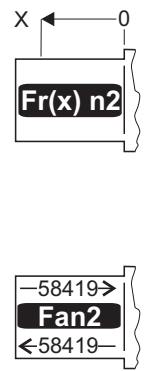
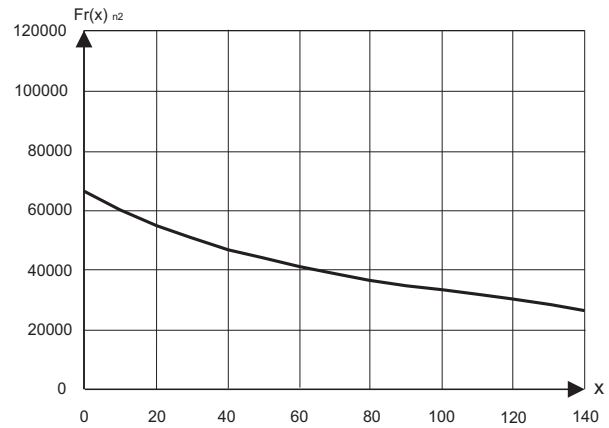
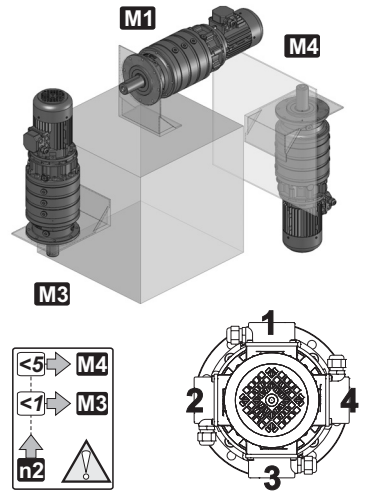
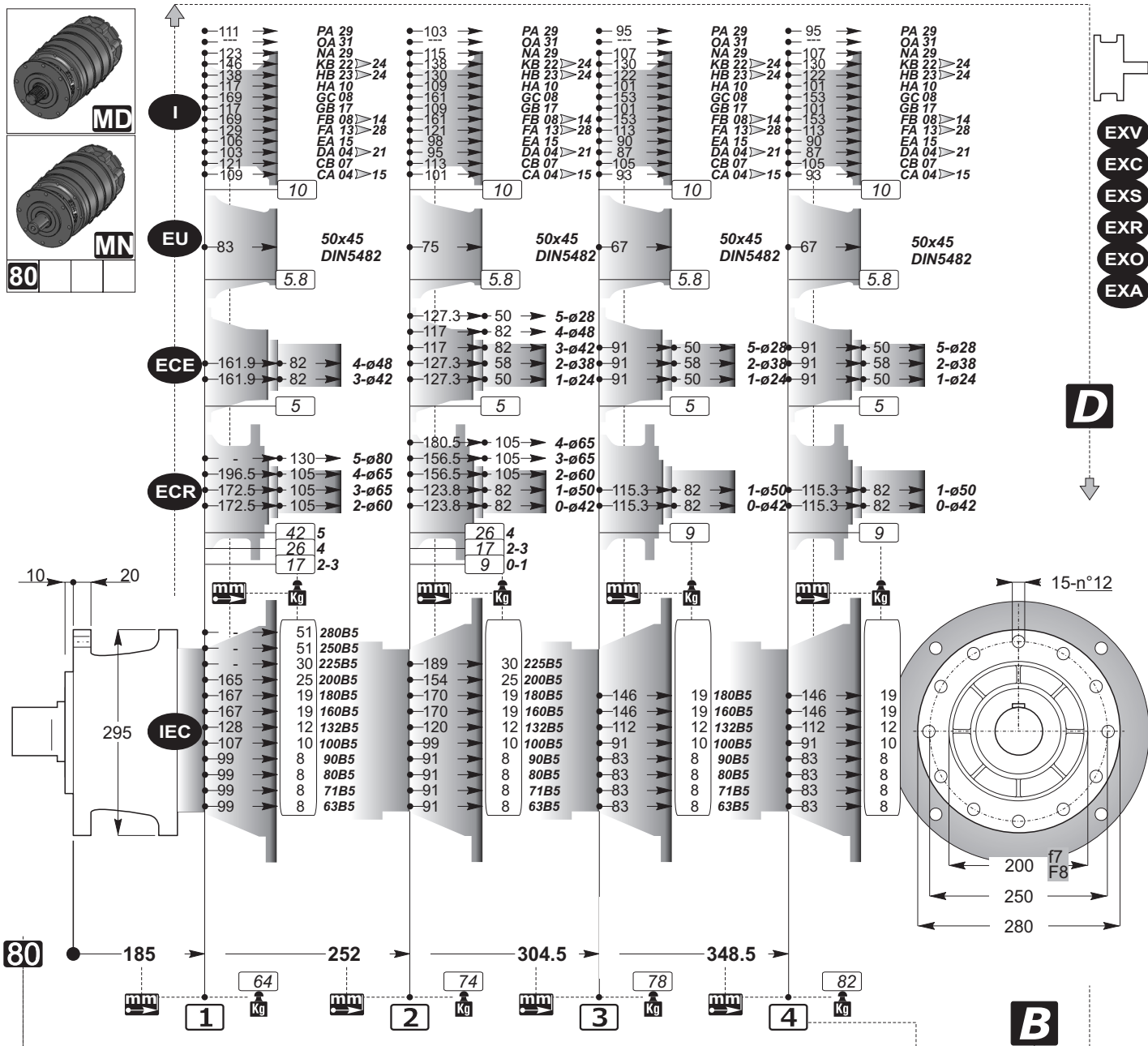


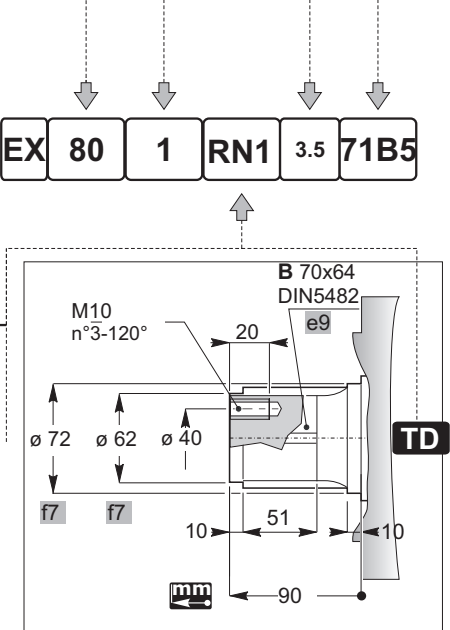
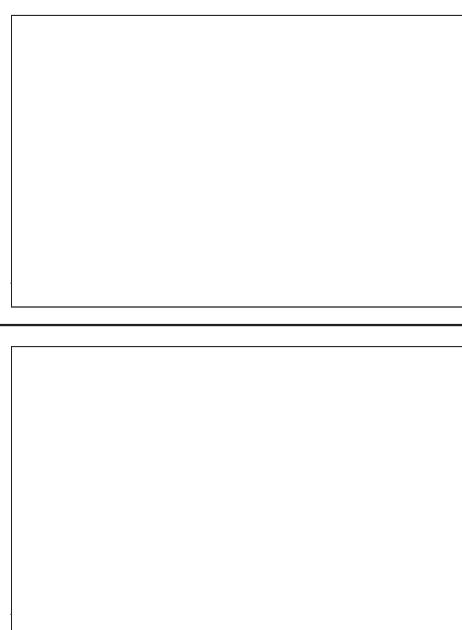
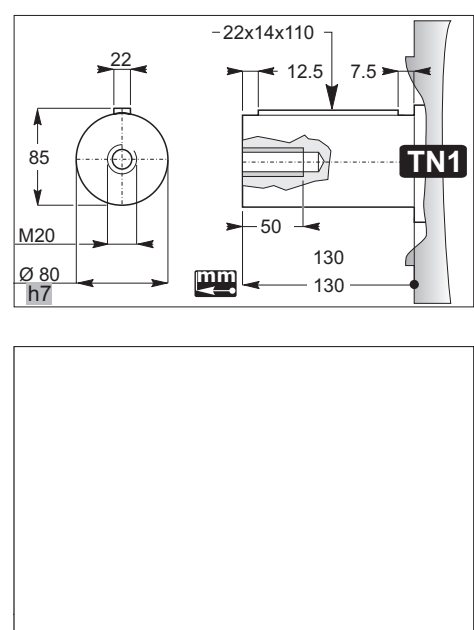
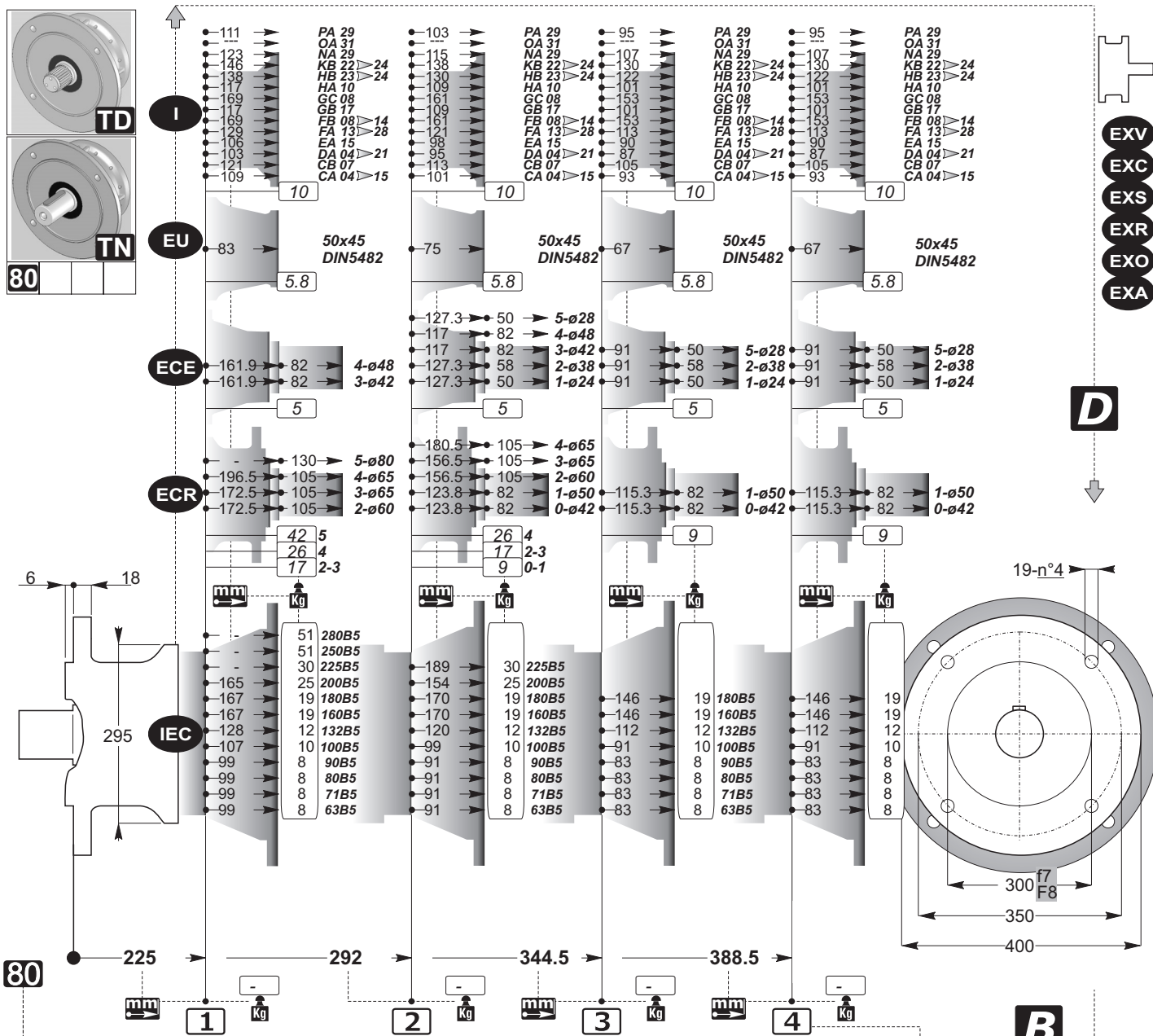
OT E

M1	M2	M3	M4	M5	M6
$\geq 5$	1.6 2.6 2.9 3.0	2.8 4.5 4.9 5.3	2.6 4.3 4.7 5.0		
n2	1 2 3 4	1 2 3 4	1 2 3 4	1 2 3 4	1 2 3 4





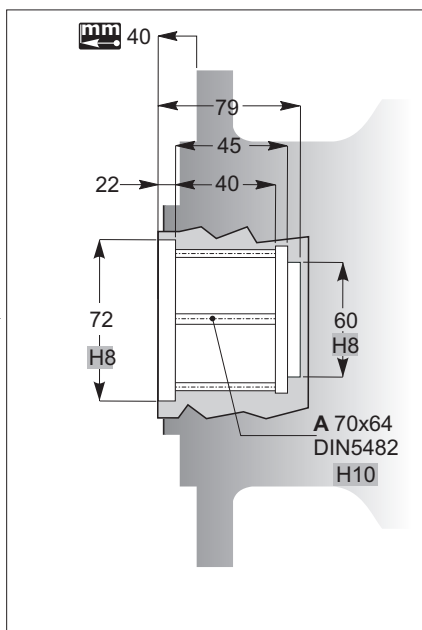
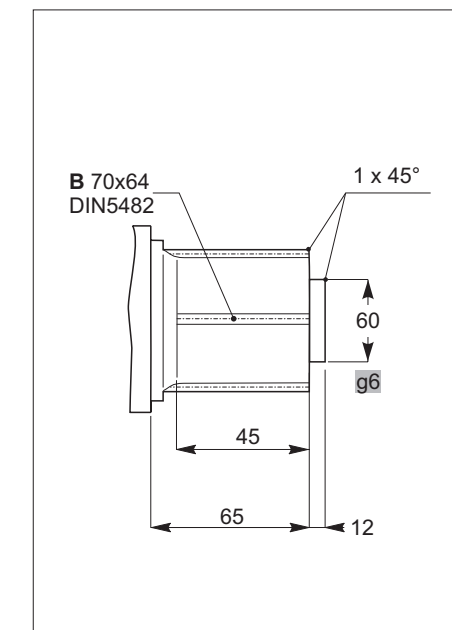
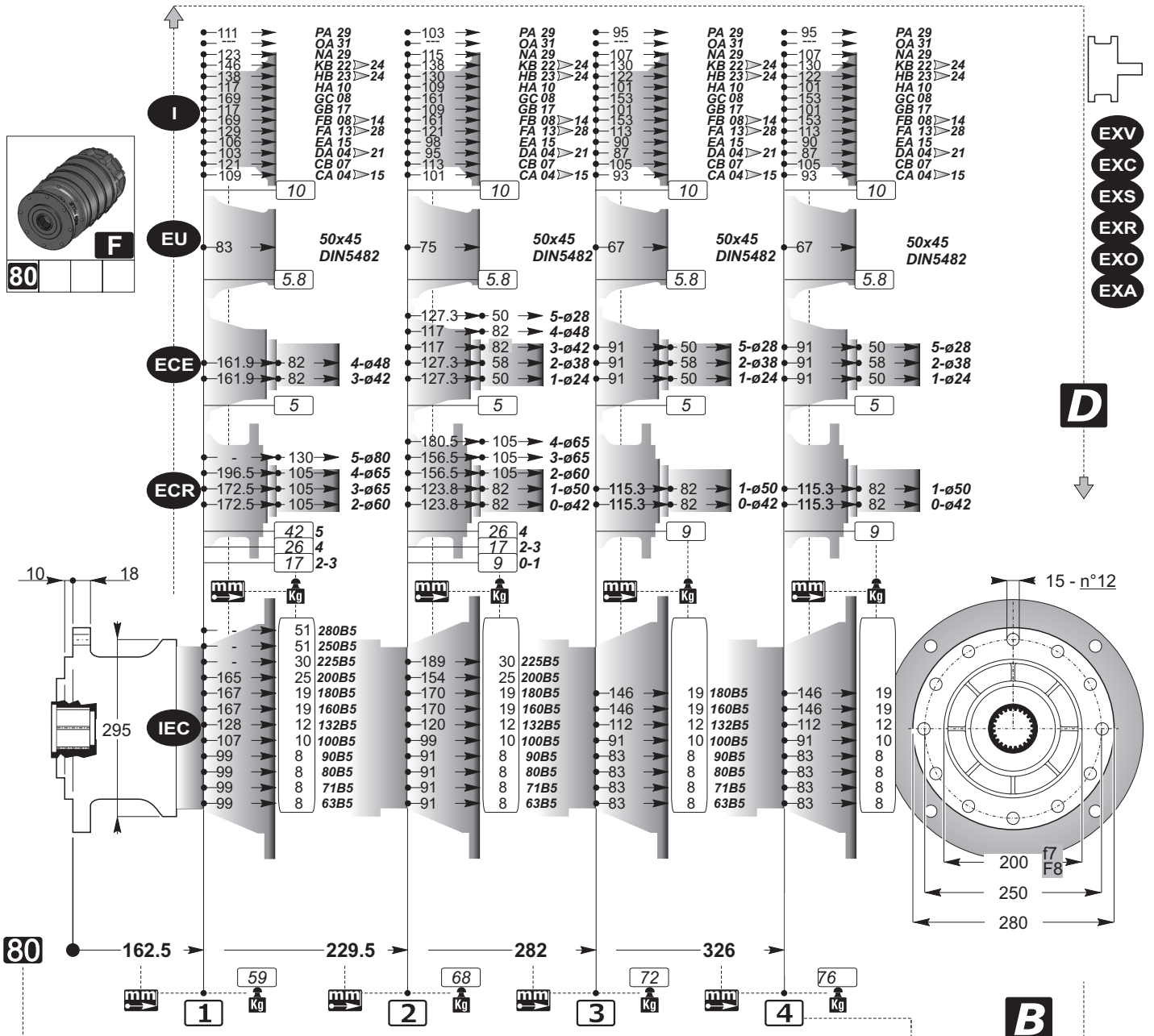






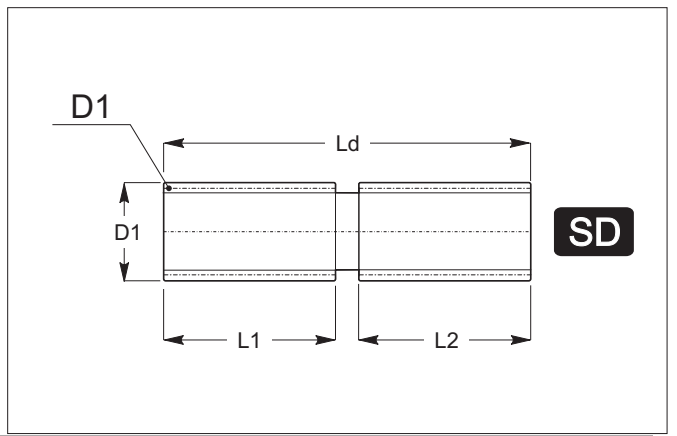
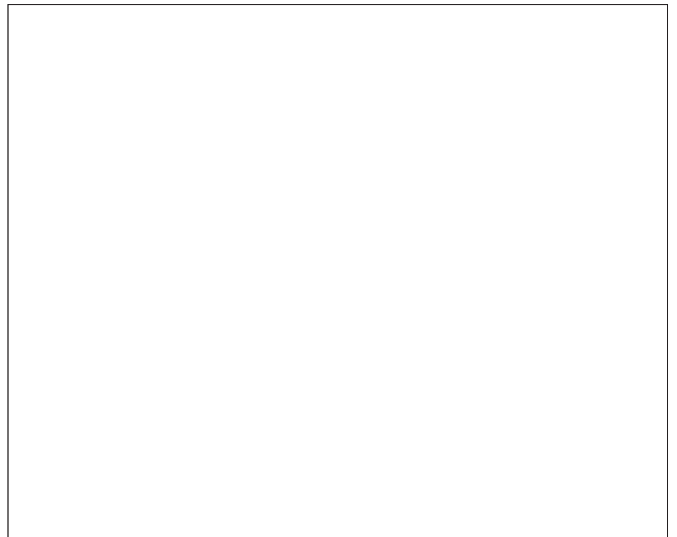






**EX 80 1 F 3.6 71B5**

**F**

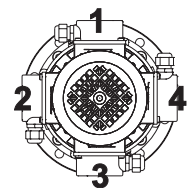
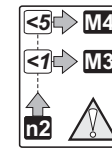
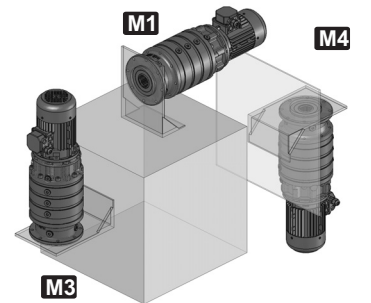


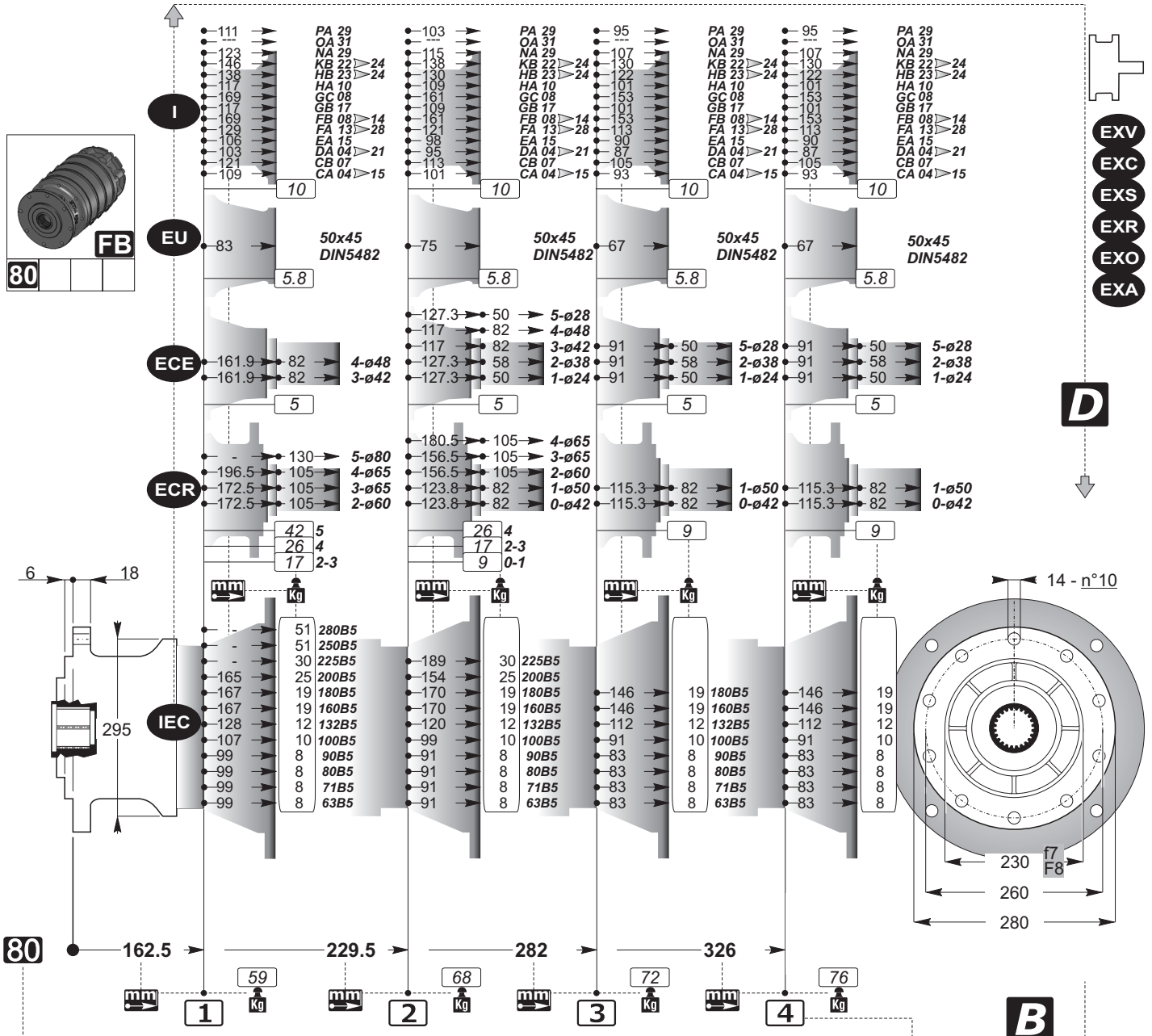
**C**



**OT E**

	<b>M1</b>		<b>M2</b>	<b>M3</b>	<b>M4</b>		<b>M5</b>				<b>M6</b>
<b>&gt;5</b>	<b>80</b>	1.6 2.6 2.9 3.0		2.8 4.5 4.9 5.3	2.6 4.3 4.7 5.0						
<b>n2</b>		<b>1 2 3 4</b>	<b>1 2 3 4</b>	<b>1 2 3 4</b>	<b>1 2 3 4</b>	<b>1 2 3 4</b>	<b>1 2 3 4</b>	<b>1 2 3 4</b>	<b>1 2 3 4</b>	<b>1 2 3 4</b>	<b>1 2 3 4</b>





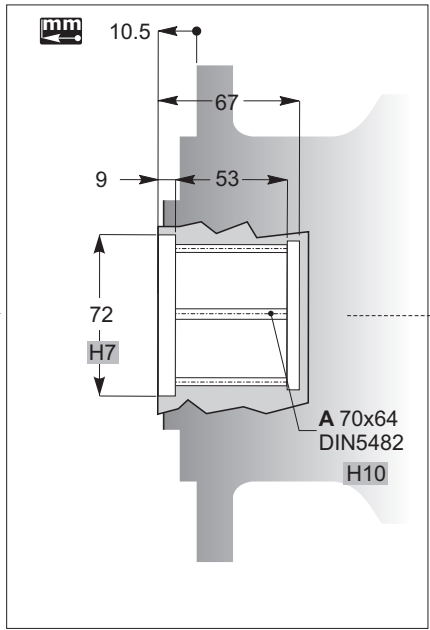
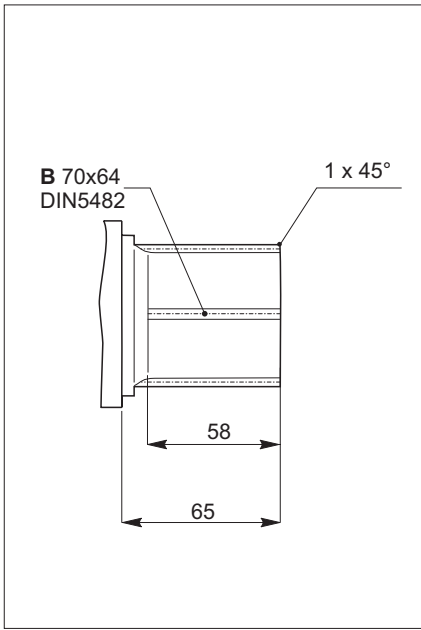
- EXV
- EXC
- EXS
- EXR
- EXO
- EXA

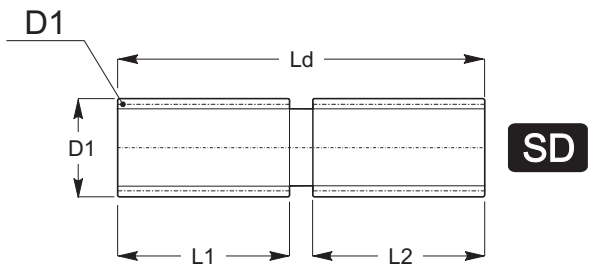
**D**

**B**

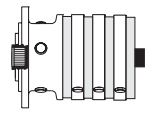
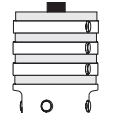
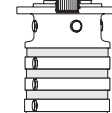
EX 80 1 FB 3.6 71B5

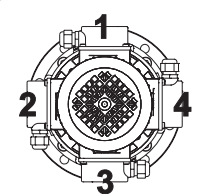
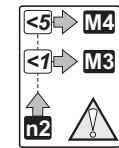
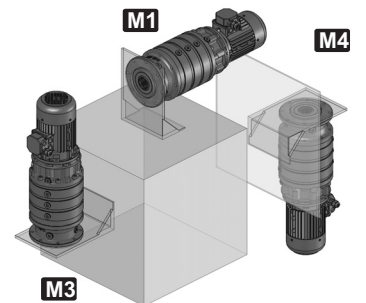
**FB**

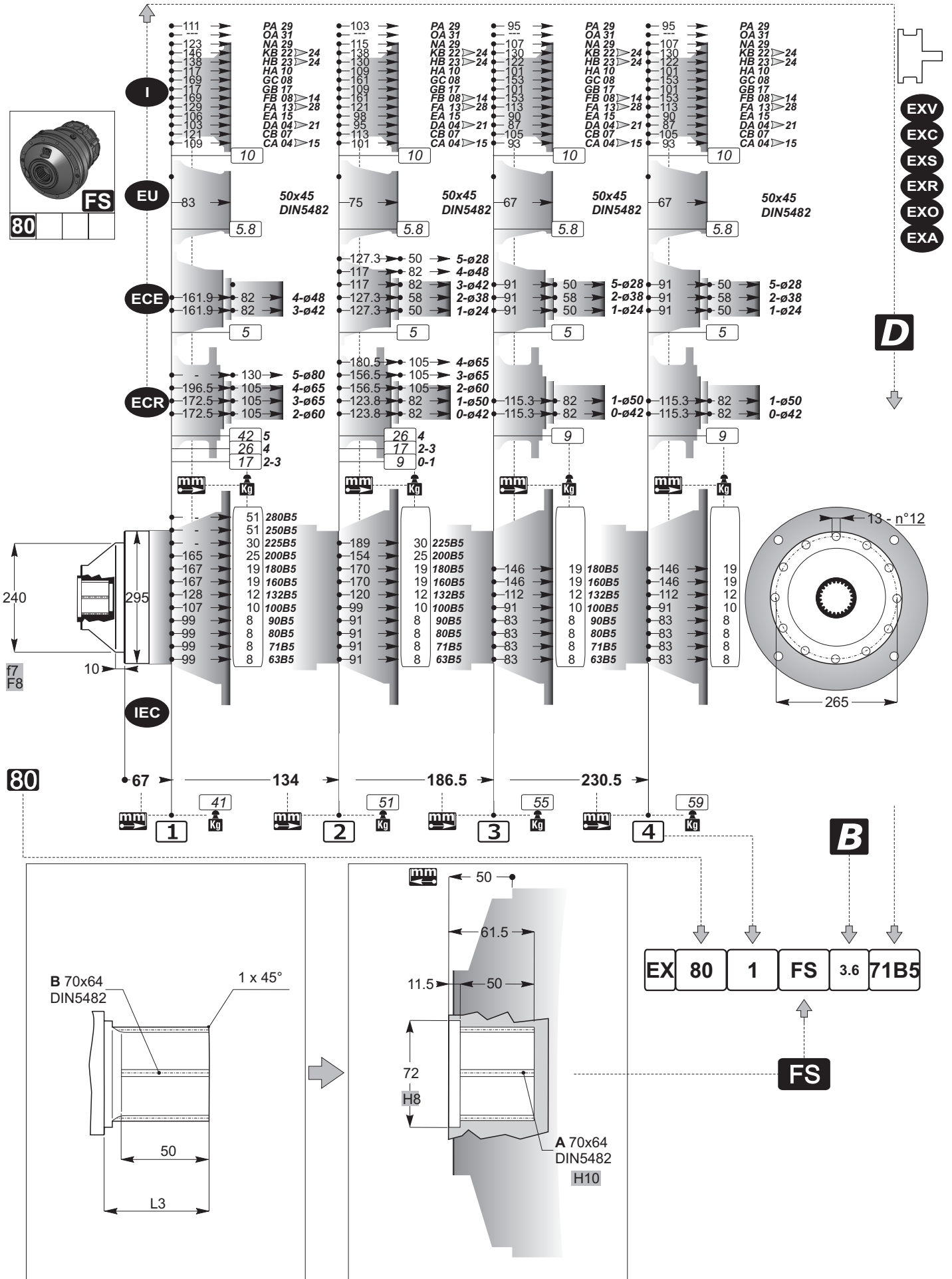




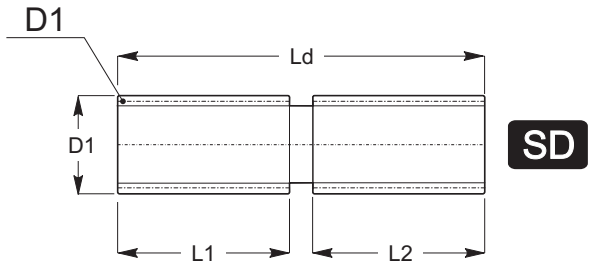
**OT E**

						
	<b>M1</b>	<b>M2</b>	<b>M3</b>	<b>M4</b>	<b>M5</b>	<b>M6</b>
$\geq 5$	1.6 2.6 2.9 3.0		2.8 4.5 4.9 5.3	2.6 4.3 4.7 5.0		
$n_2$	1 2 3 4	1 2 3 4	1 2 3 4	1 2 3 4	1 2 3 4	1 2 3 4

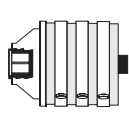
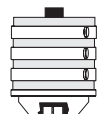
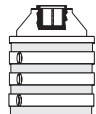


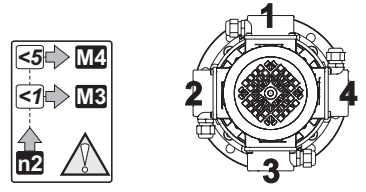
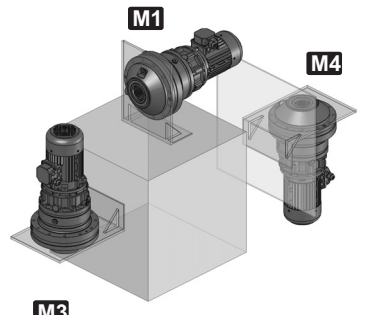


**C**

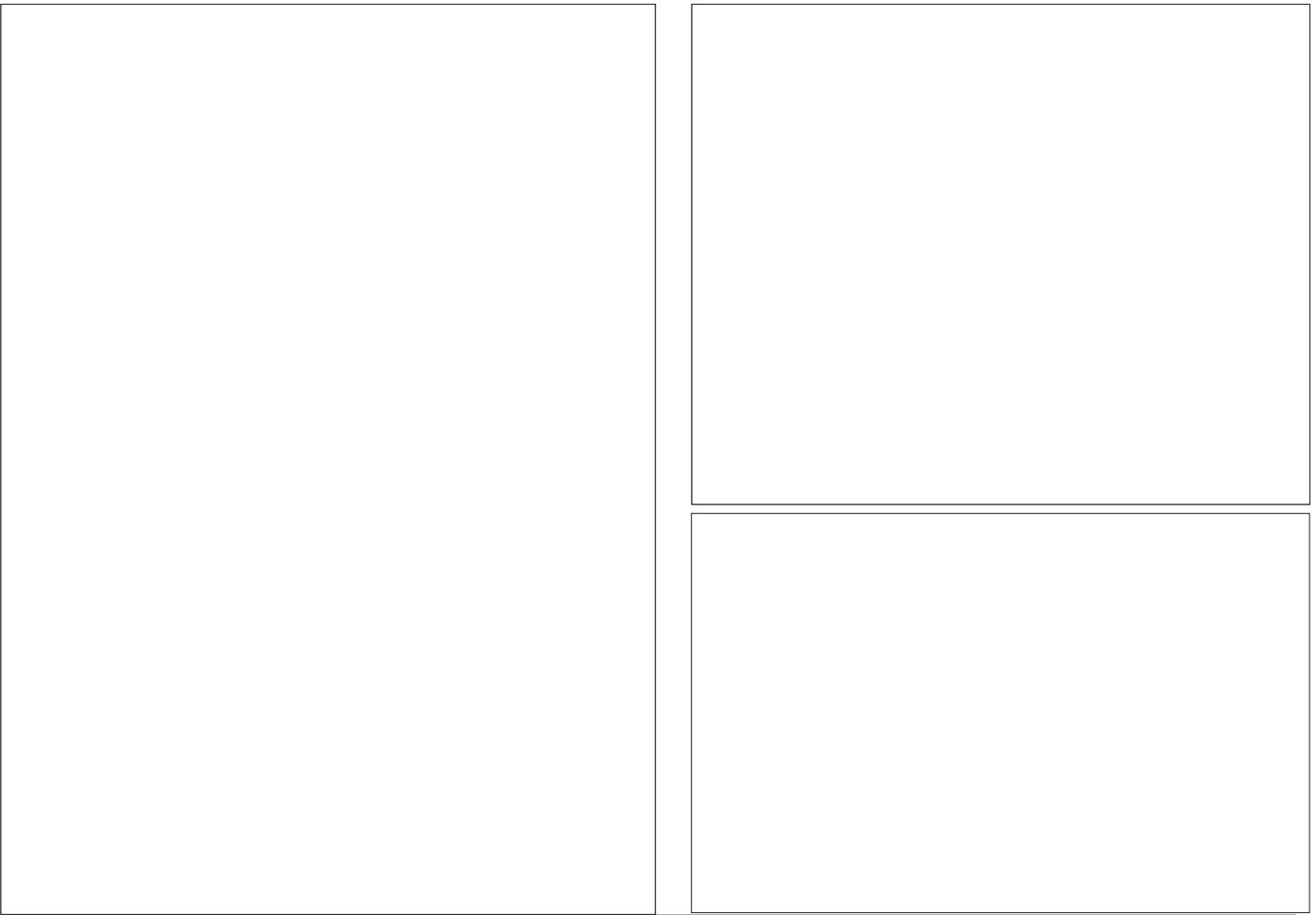


**OT E**

						
	<b>M1</b>	<b>M2</b>	<b>M3</b>	<b>M4</b>	<b>M5</b>	<b>M6</b>
$\geq 5$	80 1.1 2.1 2.3 2.5	1.8 3.6 4.0 4.4	1.7 3.4 3.8 4.1			
$n_2$	1 2 3 4	1 2 3 4	1 2 3 4	1 2 3 4	1 2 3 4	1 2 3 4

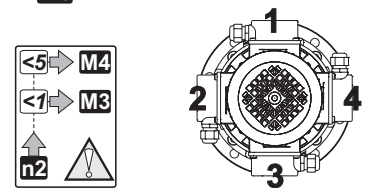
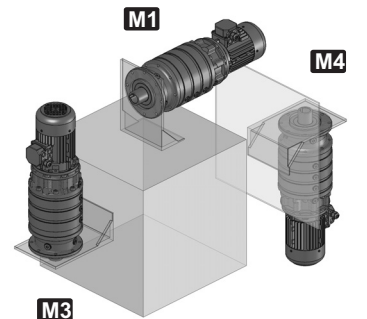


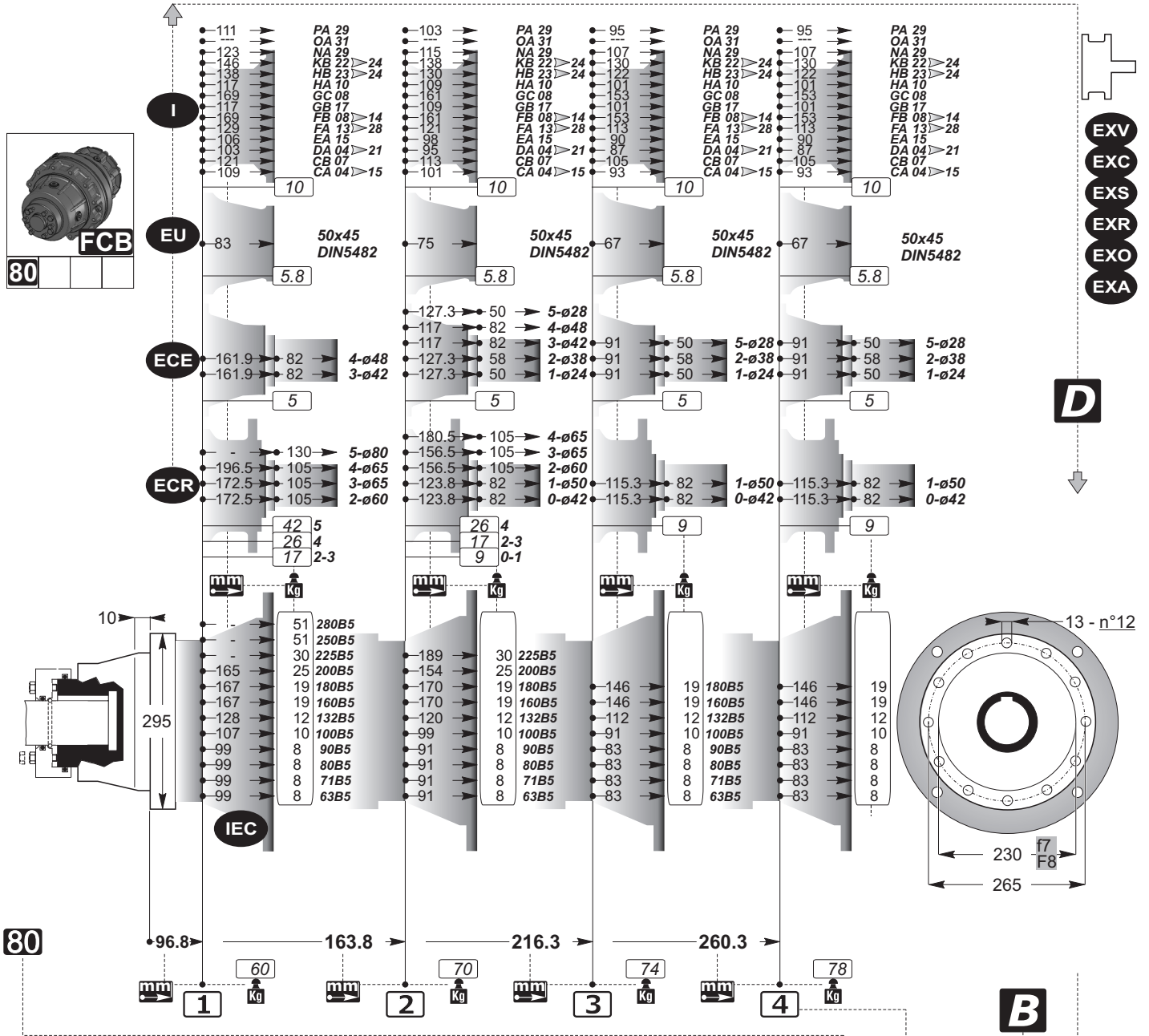




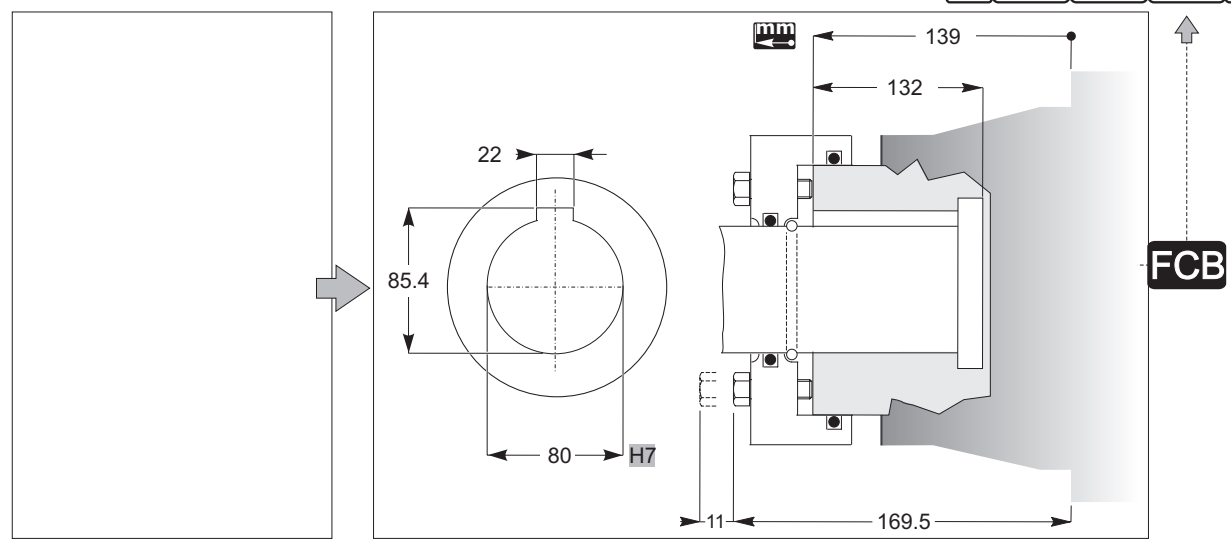
OT E

	M1	M2	M3	M4	M5	M6
>5	80	1.6 2.6 2.9 3.0	2.8 4.5 4.9 5.3	2.6 4.3 4.7 5.0		
n2		1 2 3 4	1 2 3 4	1 2 3 4	1 2 3 4	1 2 3 4

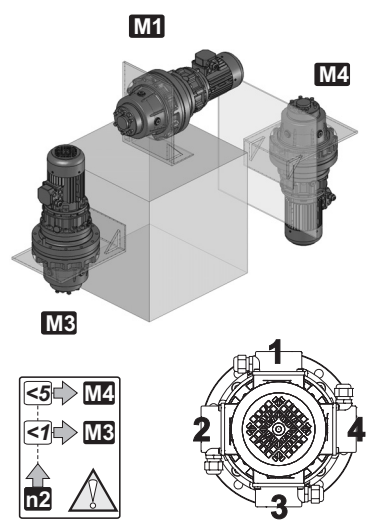
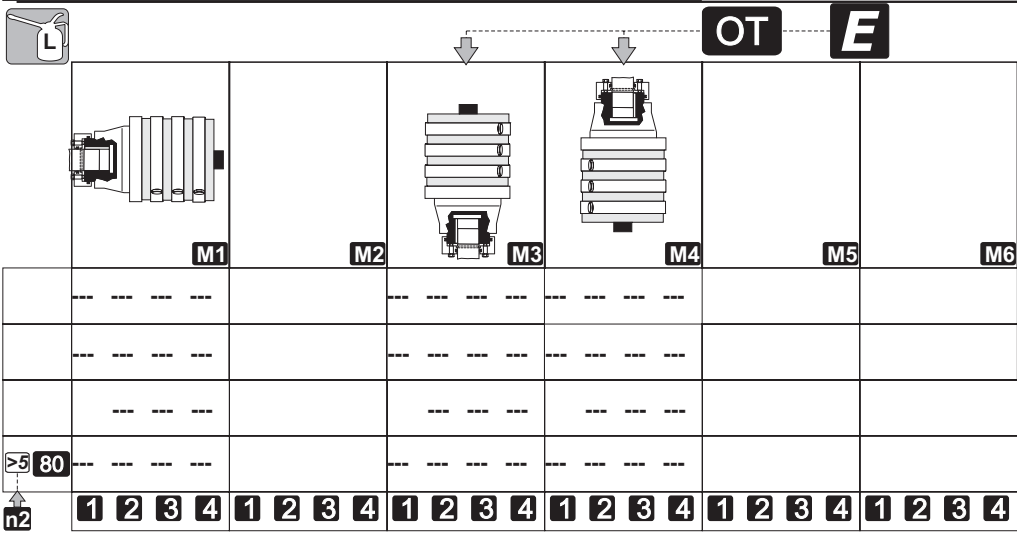
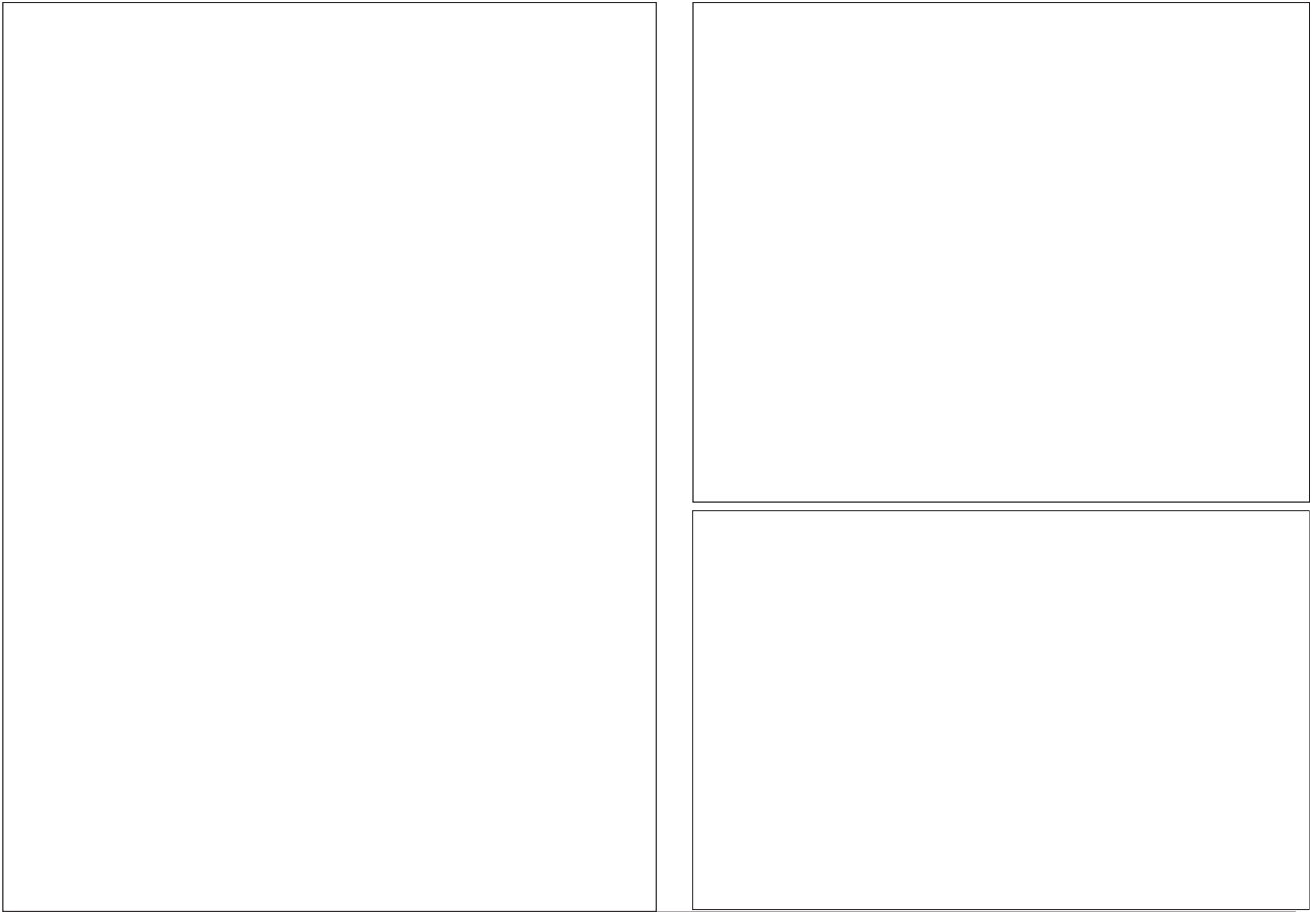




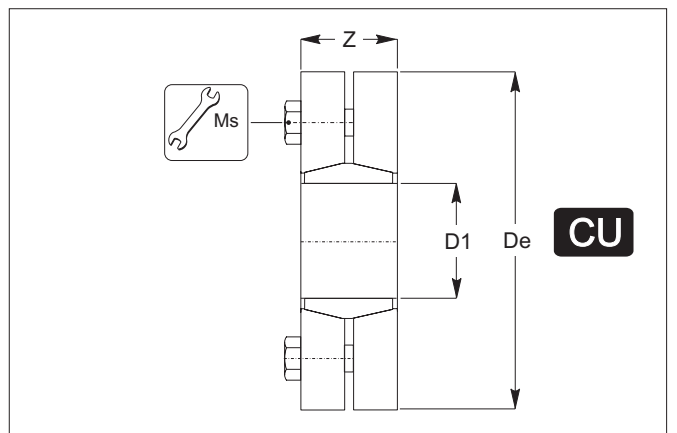
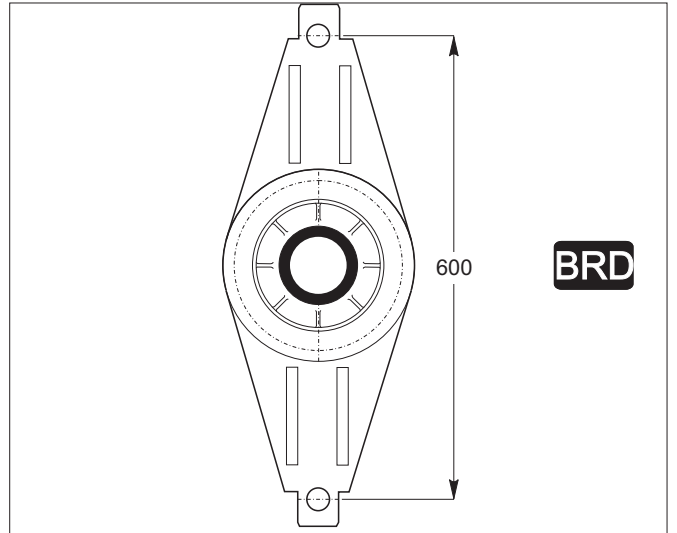
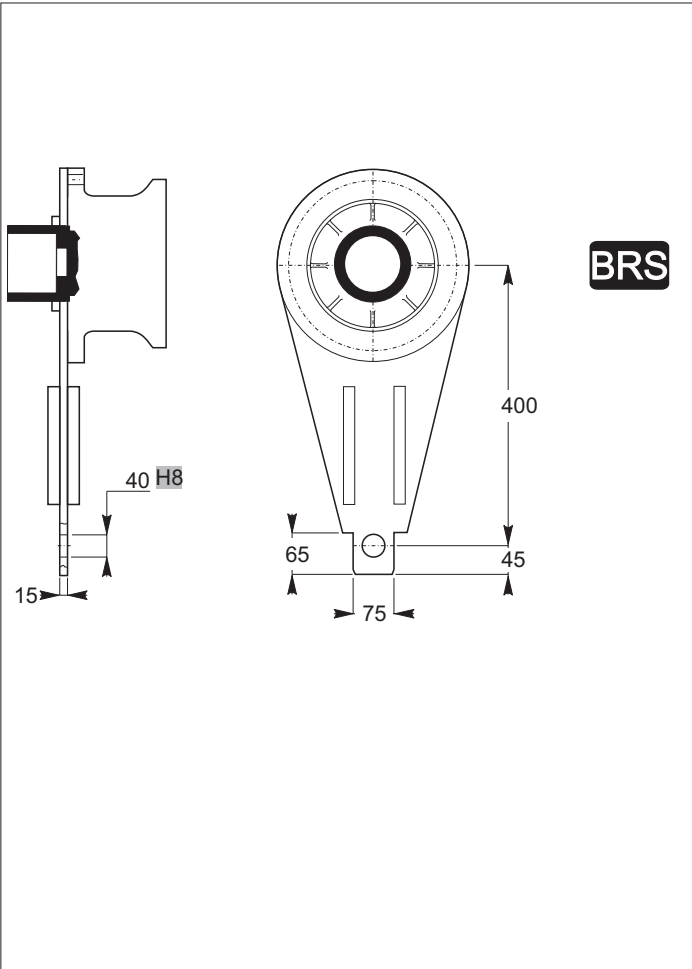
**EX 80 1 FCB 3.6 71B5**



**C**







L	OT				E	
	M1	M2	M3	M4	M5	M6
≥5	80	1.6 2.6 2.9 3.0	2.8 4.5 4.9 5.3	2.6 4.3 4.7 5.0		
n2		1 2 3 4	1 2 3 4	1 2 3 4	1 2 3 4	1 2 3 4

