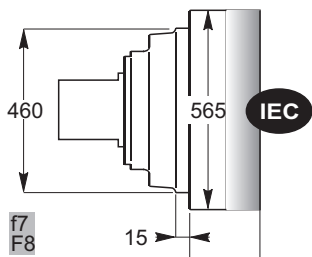
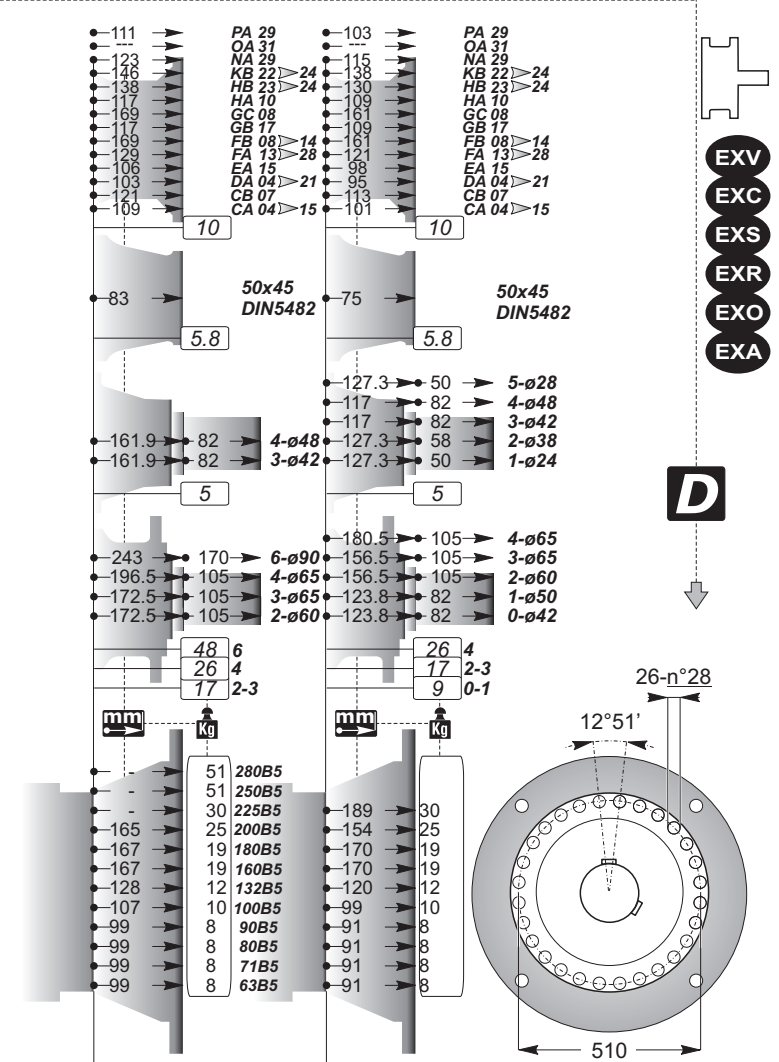
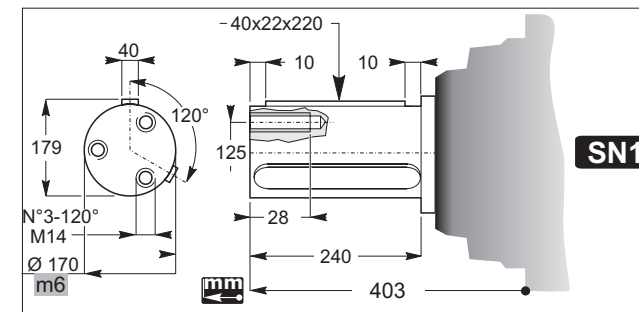
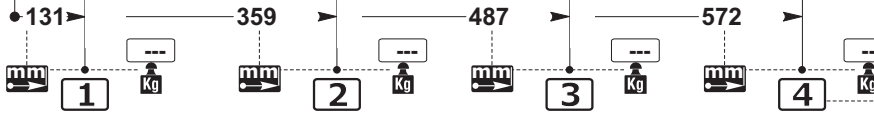


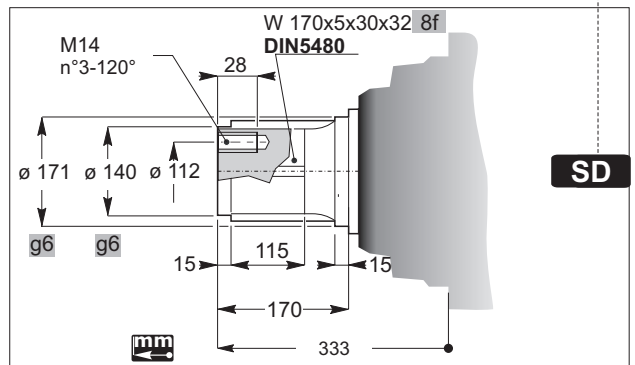
I  
EU  
ECE  
ECR



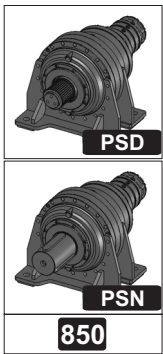
**850**



**EX 850 3 SN1 138.2 71B5**



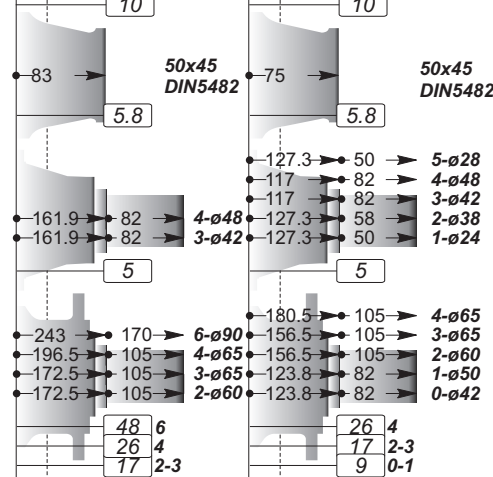




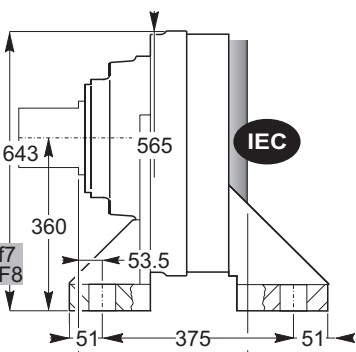
I  
EU  
ECE  
ECR

- |     |            |     |            |
|-----|------------|-----|------------|
| 111 | PA 29      | 103 | PA 29      |
| 123 | OA 31      | 115 | OA 31      |
| 146 | NA 29      | 138 | NA 29      |
| 138 | KB 22 > 24 | 130 | KB 22 > 24 |
| 117 | HA 10      | 109 | HA 10      |
| 169 | GC 08      | 161 | GC 08      |
| 17  | GB 17      | 109 | GB 17      |
| 169 | FB 08 > 14 | 121 | FB 08 > 14 |
| 129 | FA 13 > 28 | 98  | FA 13 > 28 |
| 106 | EA 15      | 95  | EA 15      |
| 103 | DA 04 > 21 | 113 | DA 04 > 21 |
| 121 | CA 04 > 15 | 101 | CA 04 > 15 |
| 109 |            |     |            |

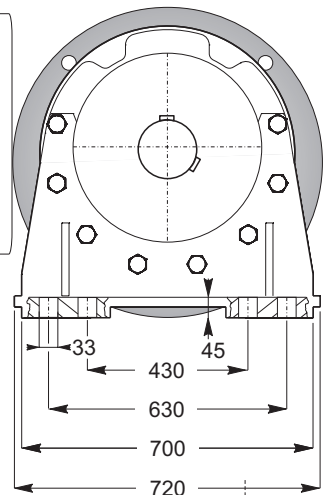
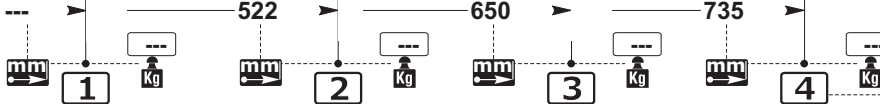
- EXV  
EXC  
EXS  
EXR  
EXO  
EXA



**D**

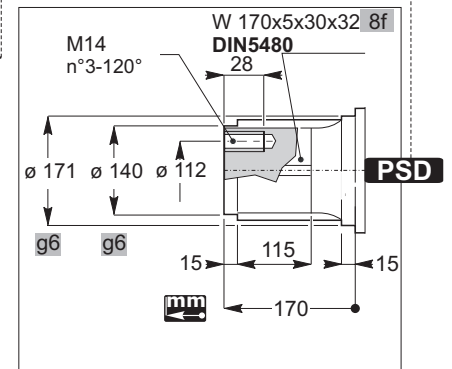
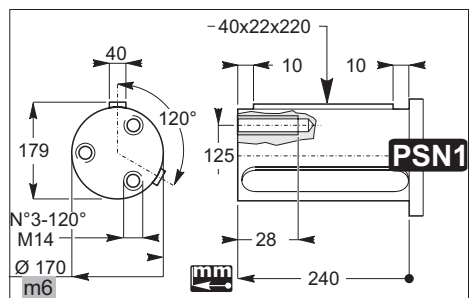


**850**

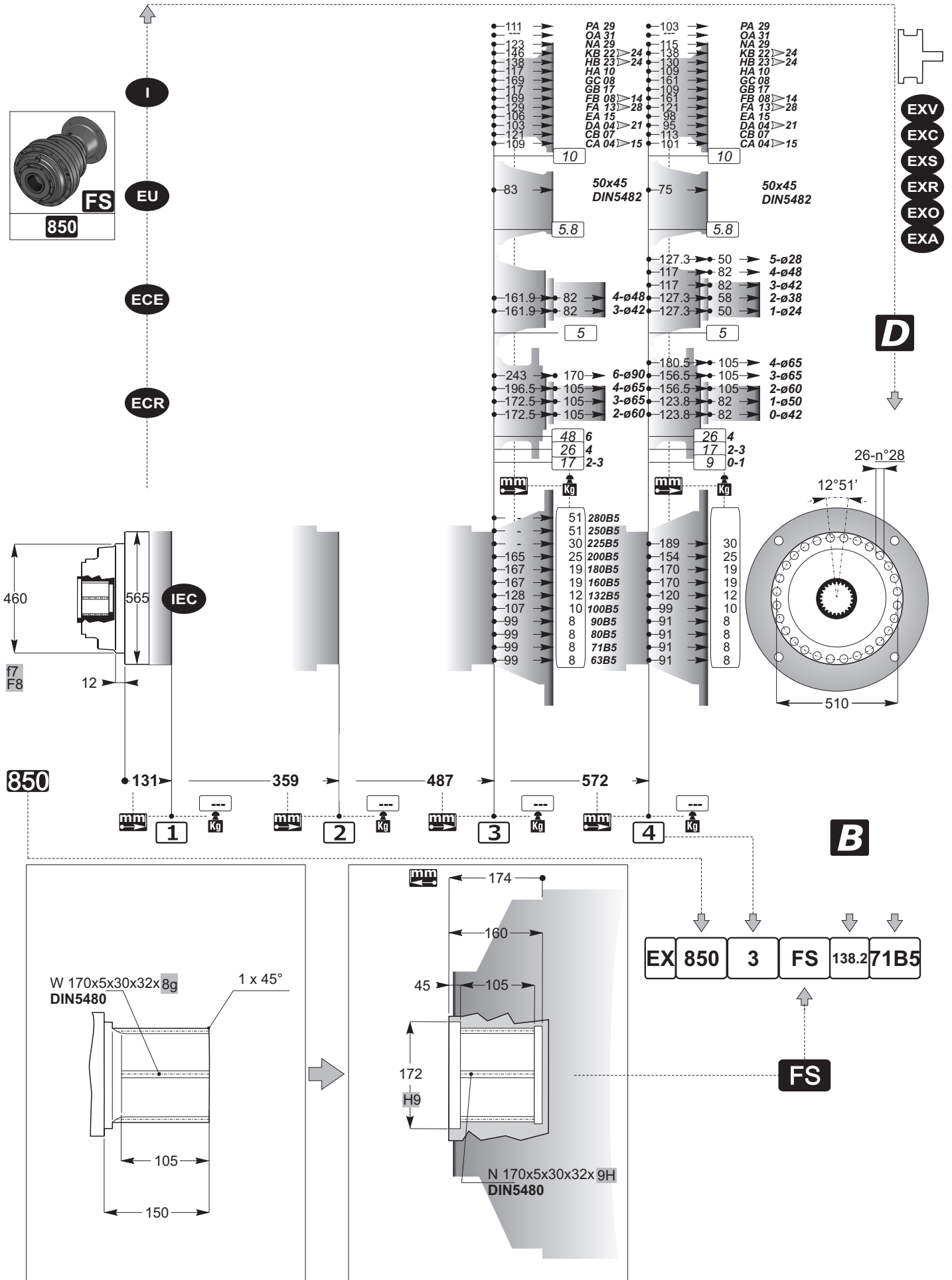


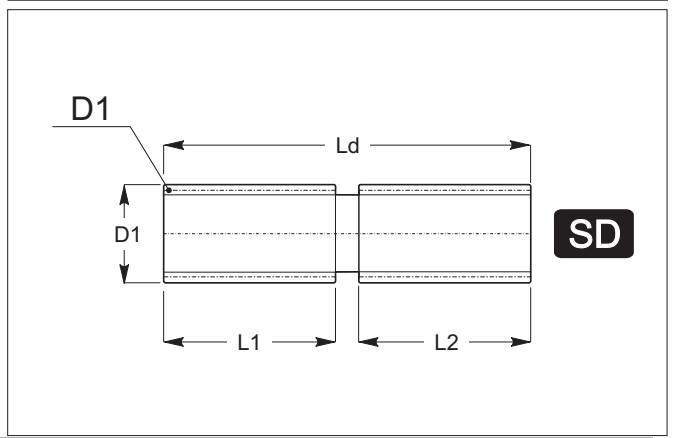
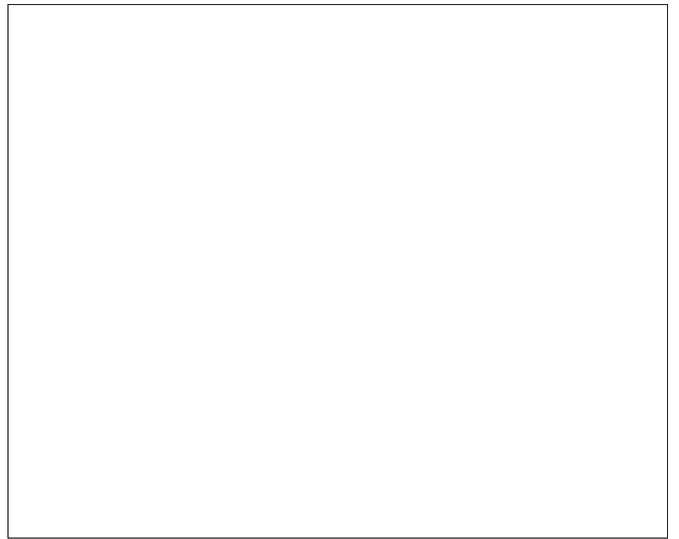
**B**

EX 850 3 PSD 138.2 71B5





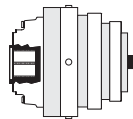
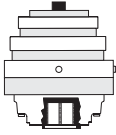
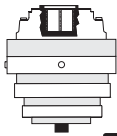


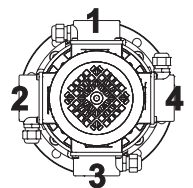
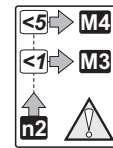
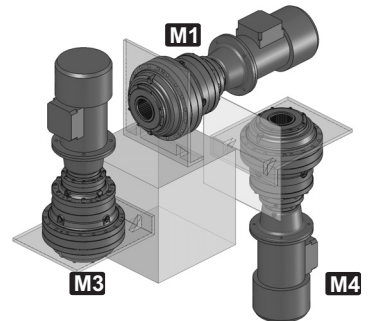


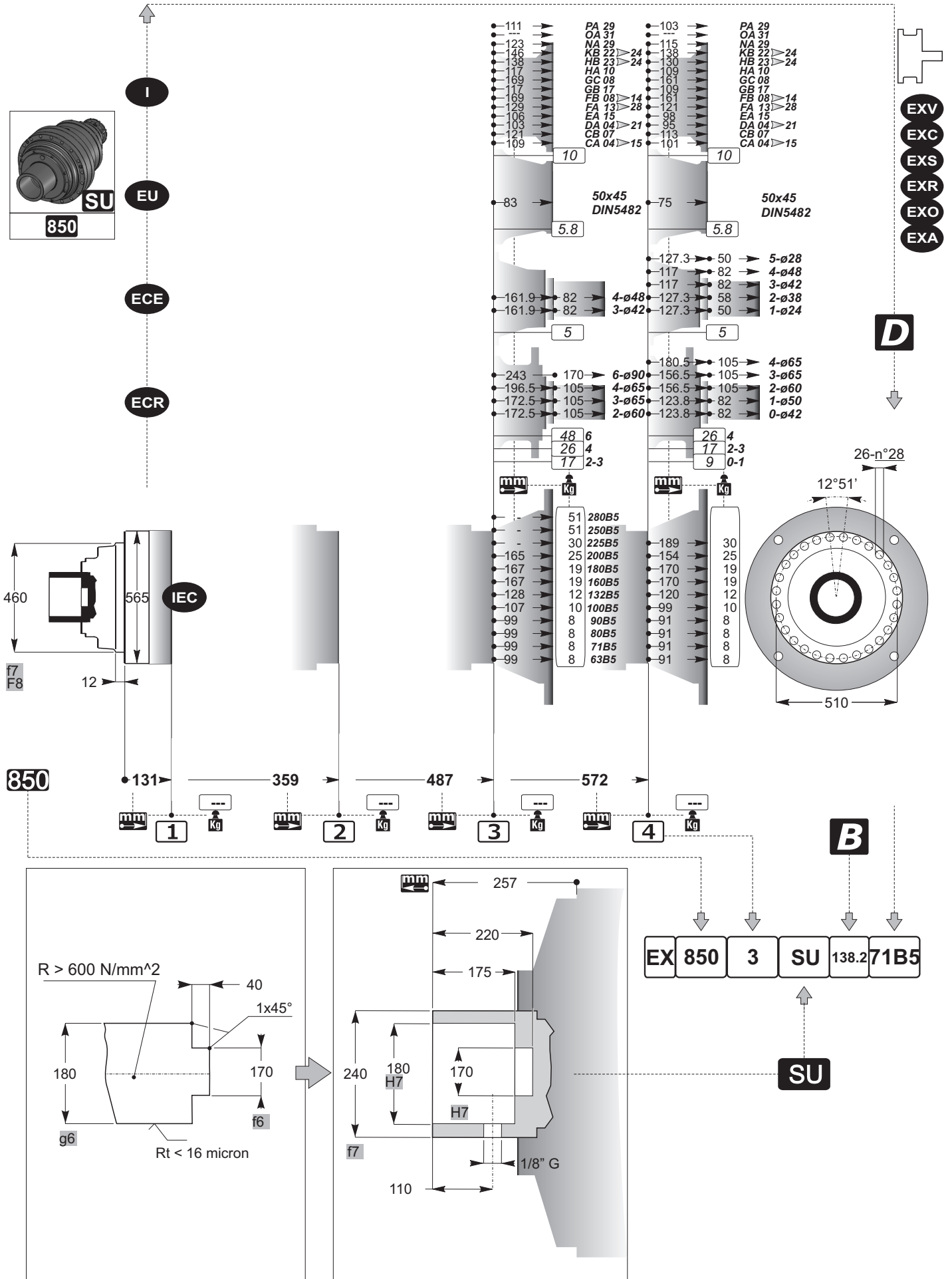
**C**

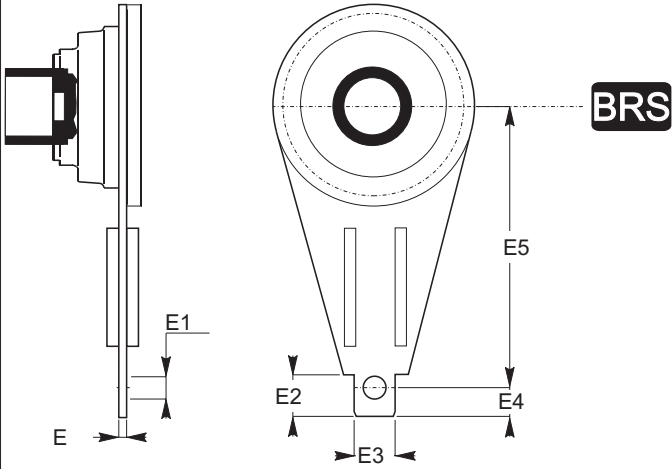


**OT E**

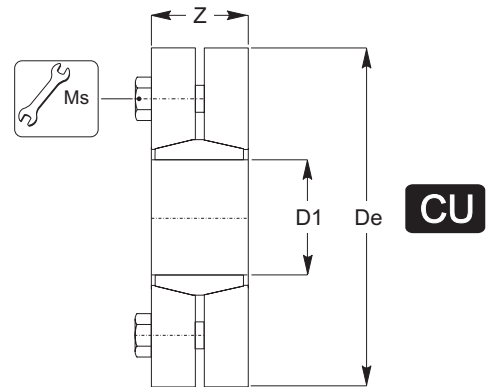
						
	<b>M1</b>	<b>M2</b>	<b>M3</b>	<b>M4</b>	<b>M5</b>	<b>M6</b>
<b>&gt;5 850</b>	---	---	---	---	---	---
<b>n2</b>	<b>1 2 3 4</b>	<b>1 2 3 4</b>	<b>1 2 3 4</b>	<b>1 2 3 4</b>	<b>1 2 3 4</b>	<b>1 2 3 4</b>







**BRS**



**CU**



**OT E**

<b>M1</b>	<b>M2</b>	<b>M3</b>	<b>M4</b>	<b>M5</b>	<b>M6</b>
>5 850					
n2	1 2 3 4	1 2 3 4	1 2 3 4	1 2 3 4	1 2 3 4

