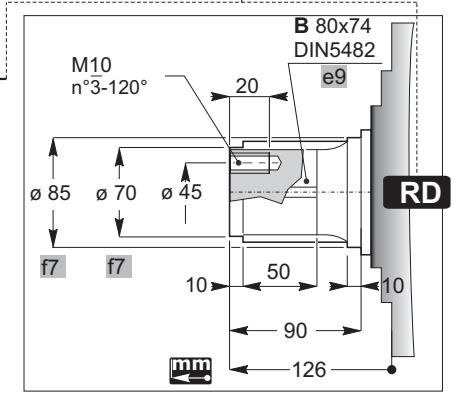
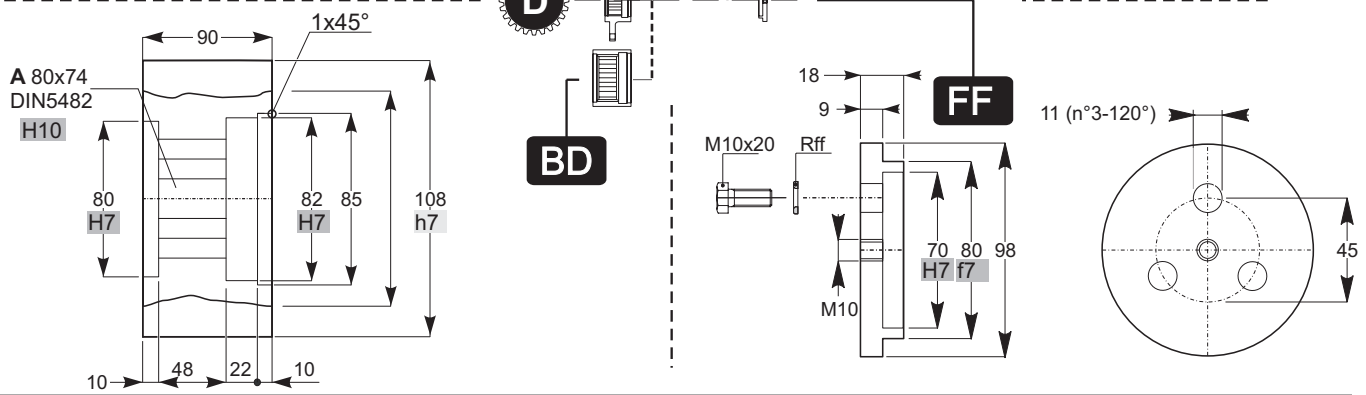
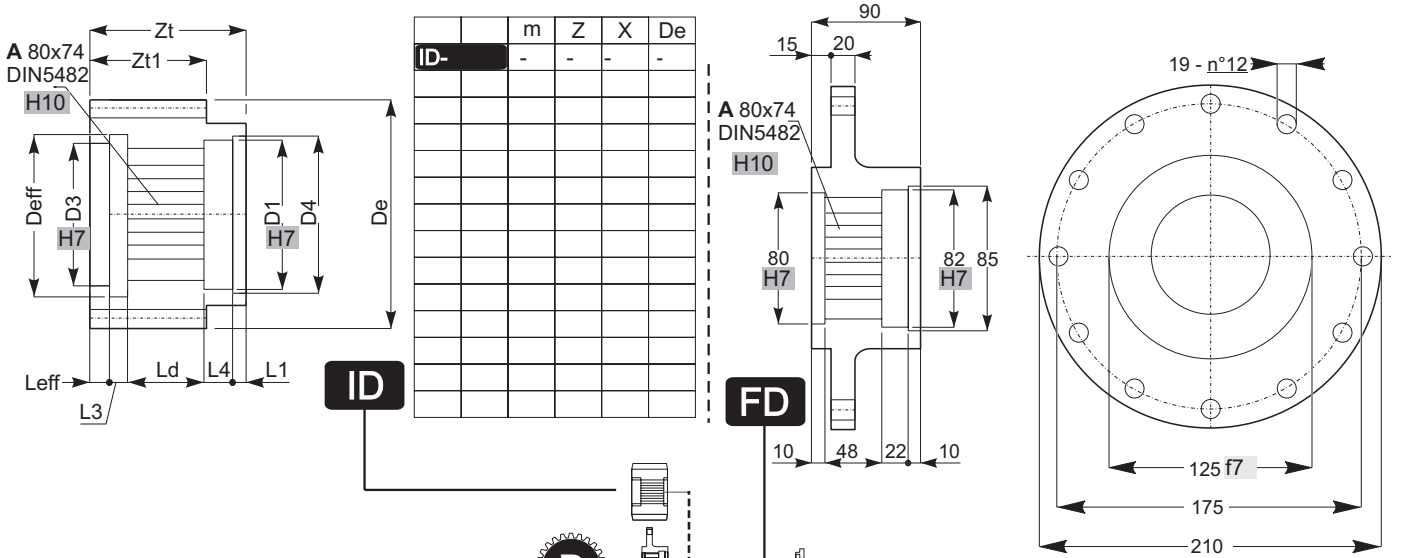
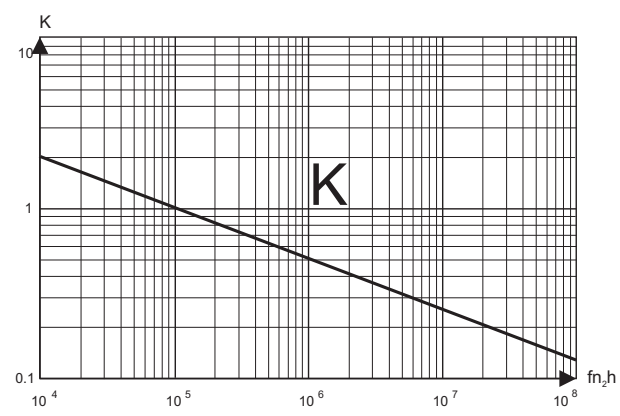
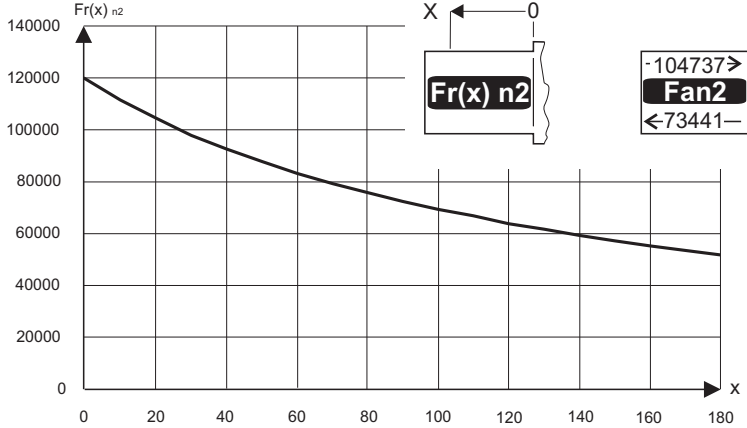
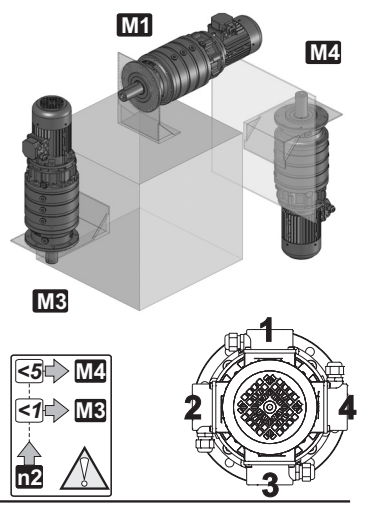


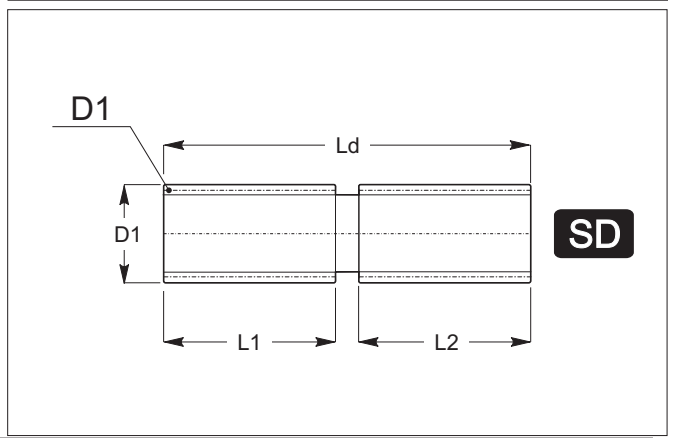
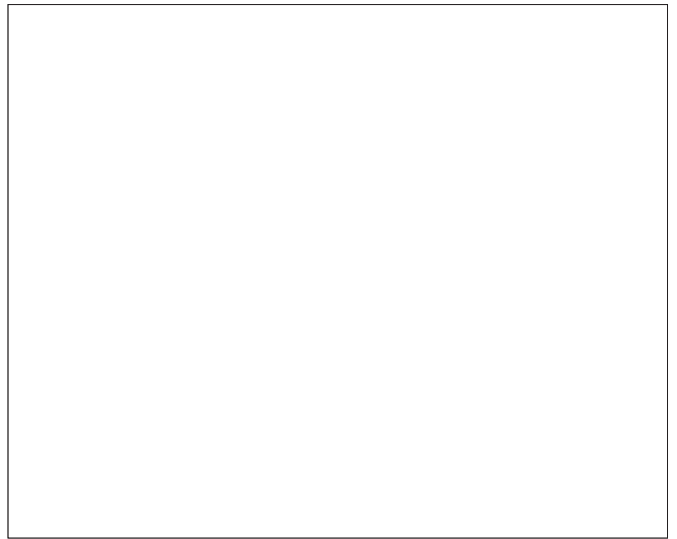
EX 100 1 RN1 3.5 71B5





	OT				E			
M1	M2	M3	M4	M5	M6			
≥ 5 100	1.9 3.0 3.5 3.7	3.2 5.2 6.1 6.5	3.0 4.9 5.8 6.1					
≥ 5 90	2.9 3.1 3.4	5.0 5.4 5.8	4.8 5.1 5.5					
\uparrow n2	1 2 3 4	1 2 3 4	1 2 3 4	1 2 3 4	1 2 3 4	1 2 3 4	1 2 3 4	1 2 3 4

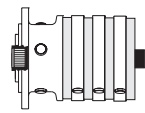
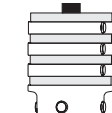
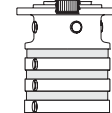



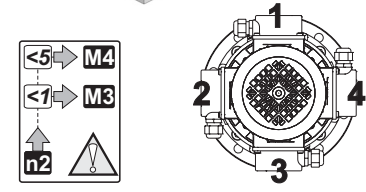
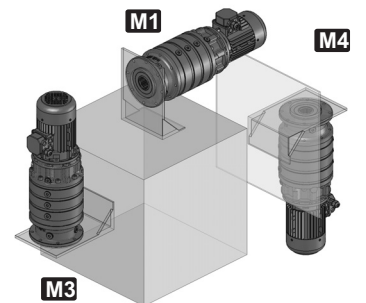


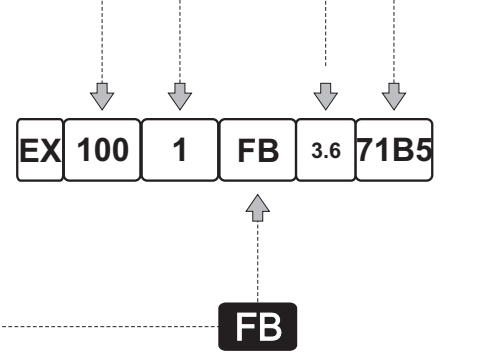
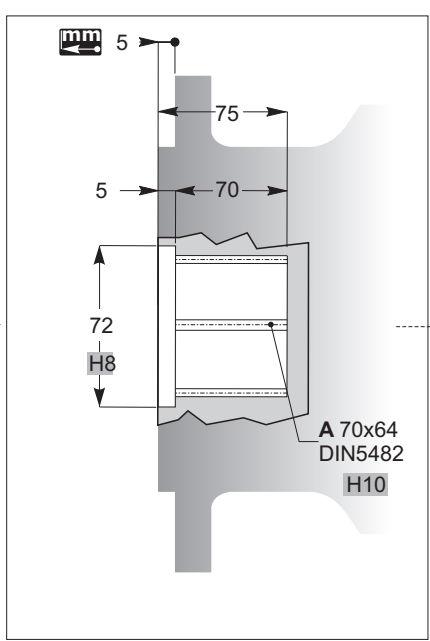
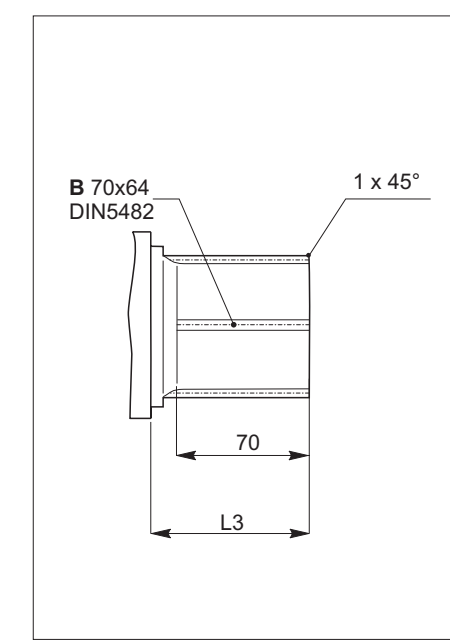
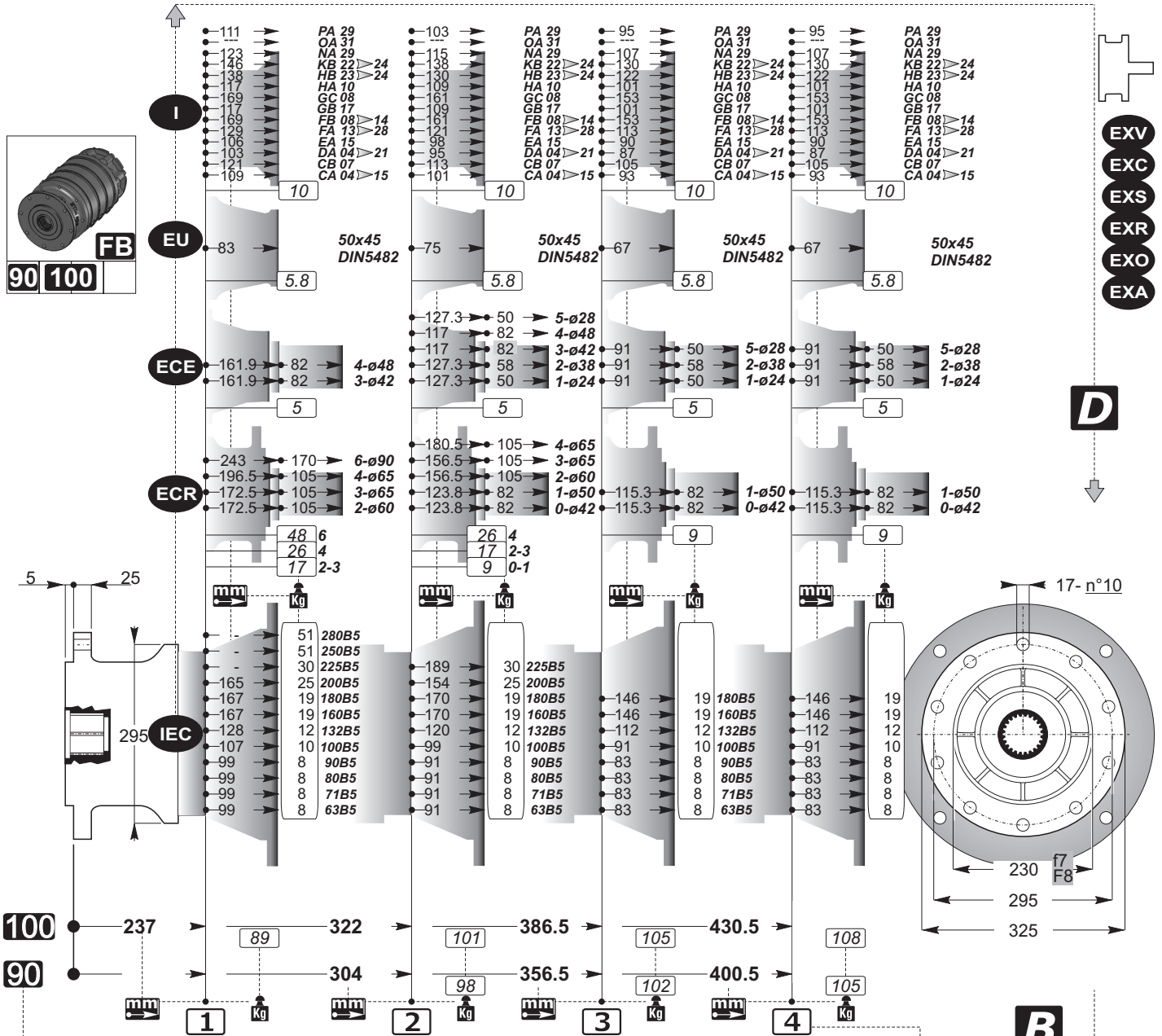
C

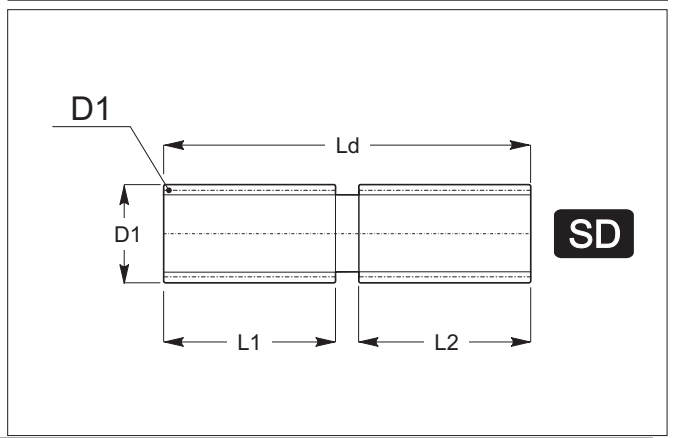


OT E

									
	M1		M2	M3	M4		M5		M6
≥ 5	100	1.9 3.0 3.5 3.7		3.2 5.2 6.1 6.5	3.0 4.9 5.8 6.1				
≥ 5	90	2.9 3.1 3.4		5.0 5.4 5.8	4.8 5.1 5.5				
n_2		1 2 3 4	1 2 3 4	1 2 3 4	1 2 3 4	1 2 3 4	1 2 3 4	1 2 3 4	1 2 3 4



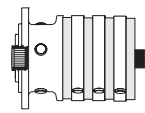
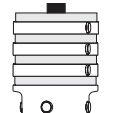
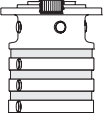


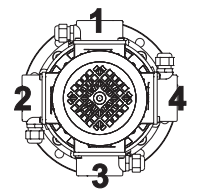
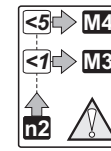
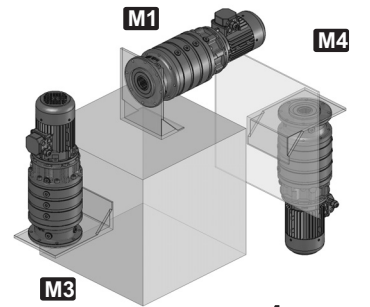


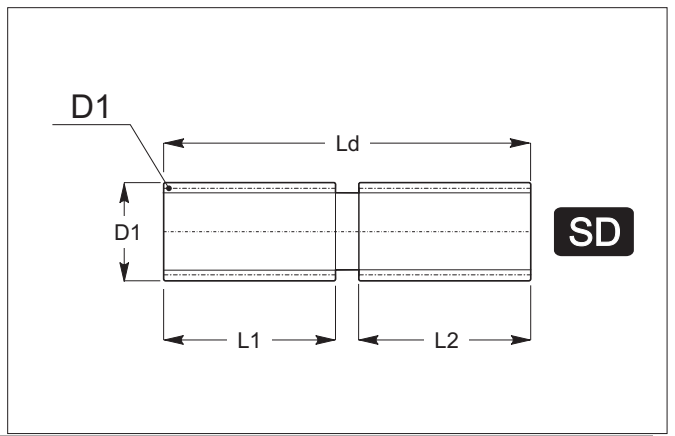
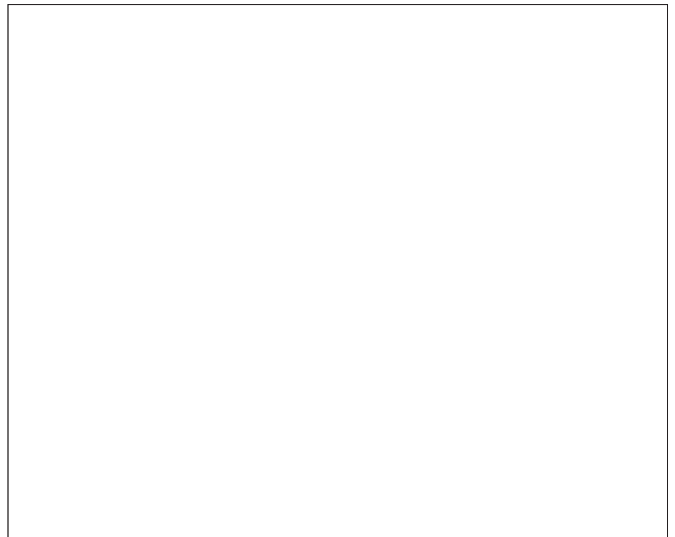
C



OT E

						
	M1	M2	M3	M4	M5	M6
>5 100	1.9 3.0 3.5 3.7		3.2 5.2 6.1 6.5	3.0 4.9 5.8 6.1		
>5 90	2.9 3.1 3.4		5.0 5.4 5.8	4.8 5.1 5.5		
n2	1 2 3 4	1 2 3 4	1 2 3 4	1 2 3 4	1 2 3 4	1 2 3 4

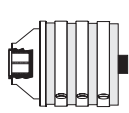
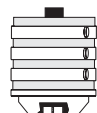
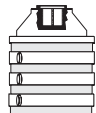


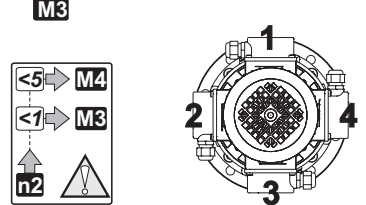
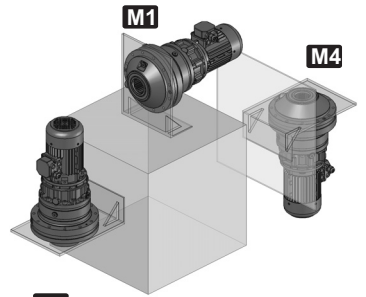


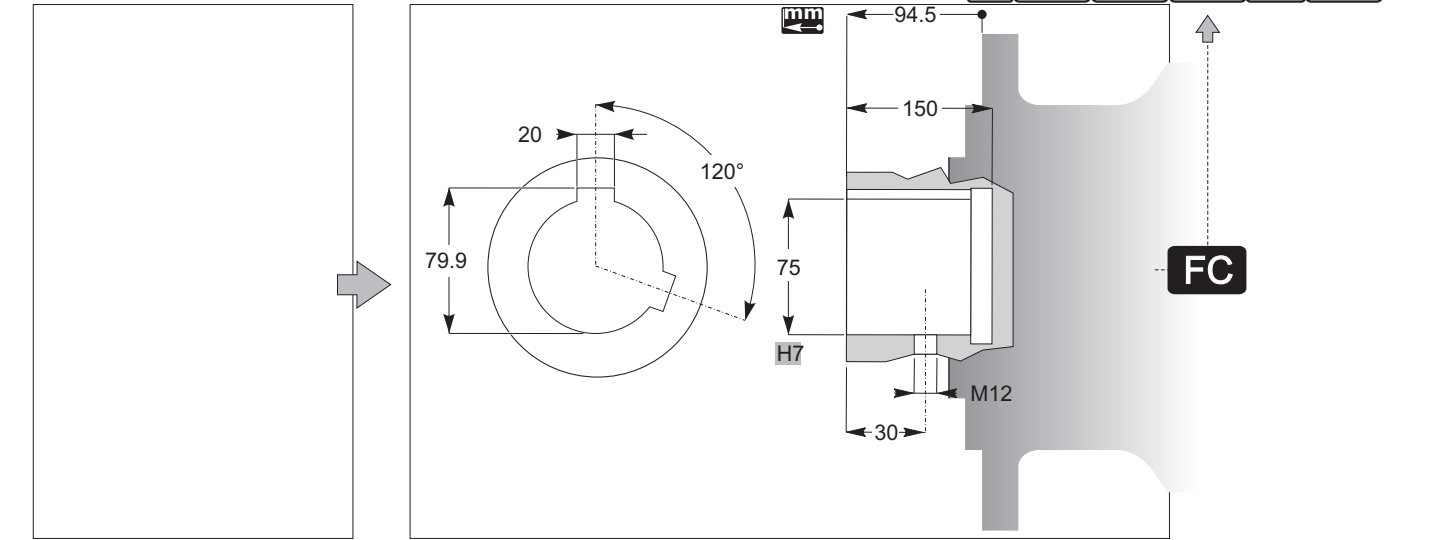
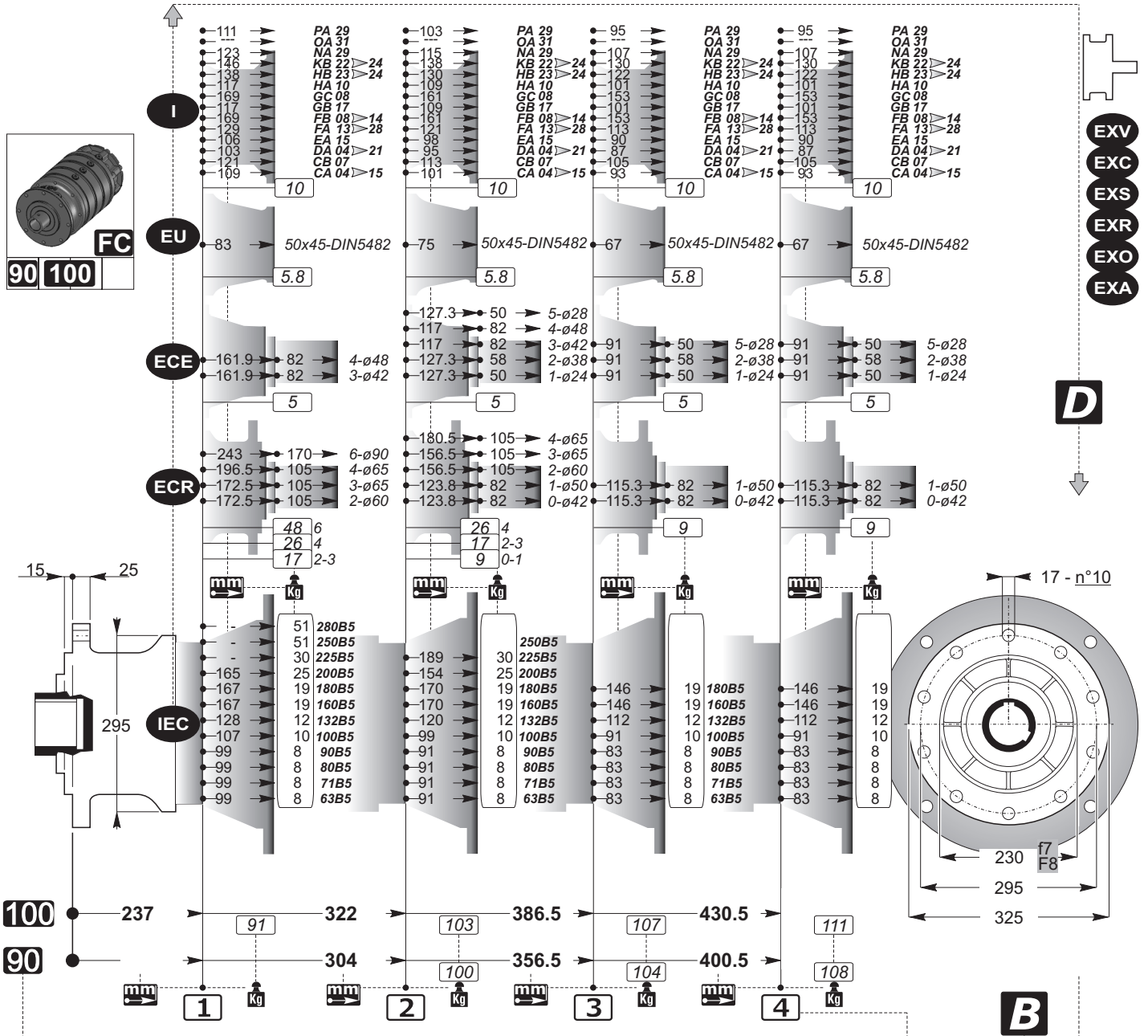
C

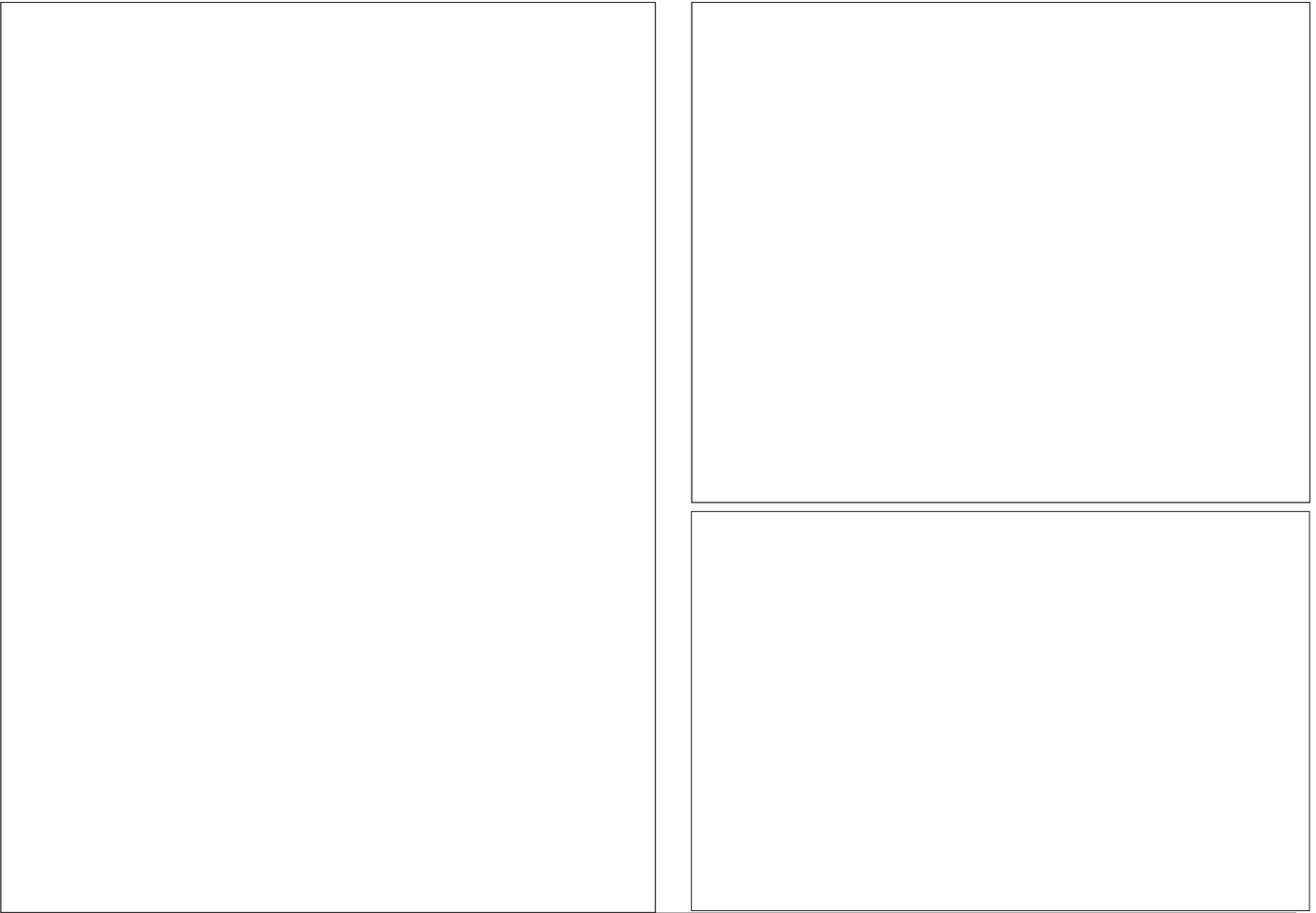


OT E

							
	M1	M2	M3	M4	M5	M6	
≥ 5	100	1.2 2.4 2.9 3.1	2.1 4.1 5.0 5.3	2.0 3.9 4.7 5.0			
≥ 5	90	2.3 2.5 2.7	3.9 4.3 4.7	3.7 4.0 4.4			
n_2		1 2 3 4	1 2 3 4	1 2 3 4	1 2 3 4	1 2 3 4	1 2 3 4

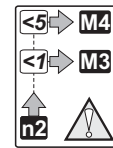
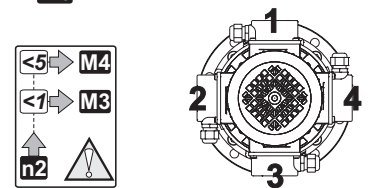
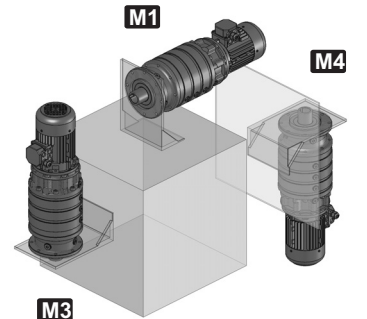


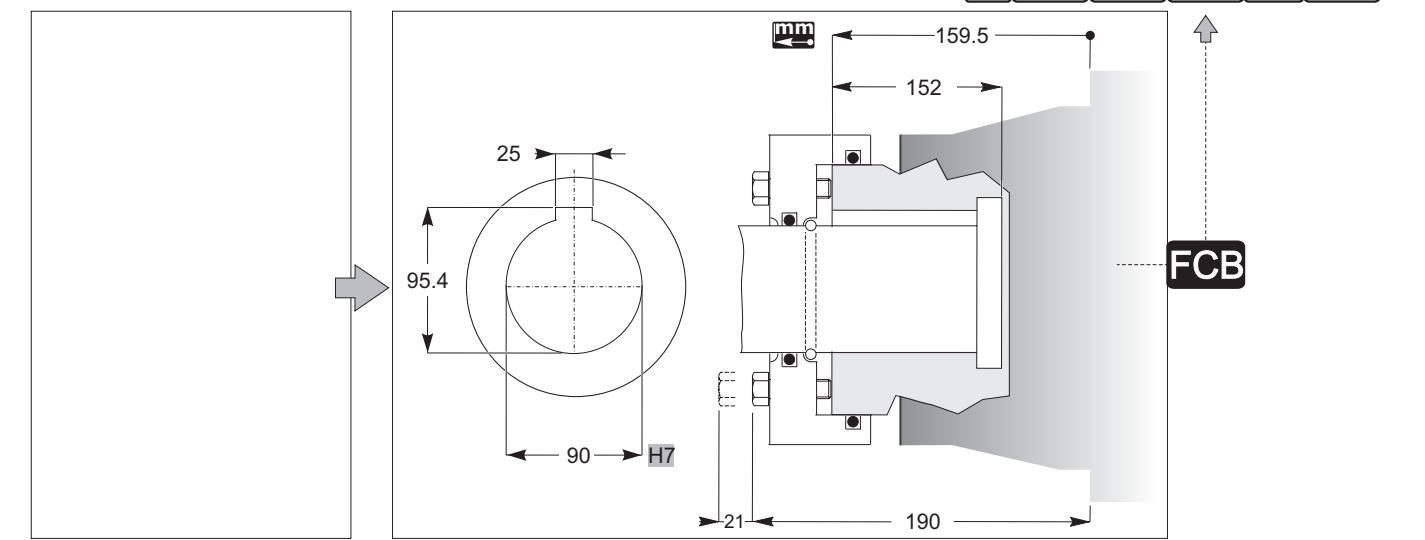
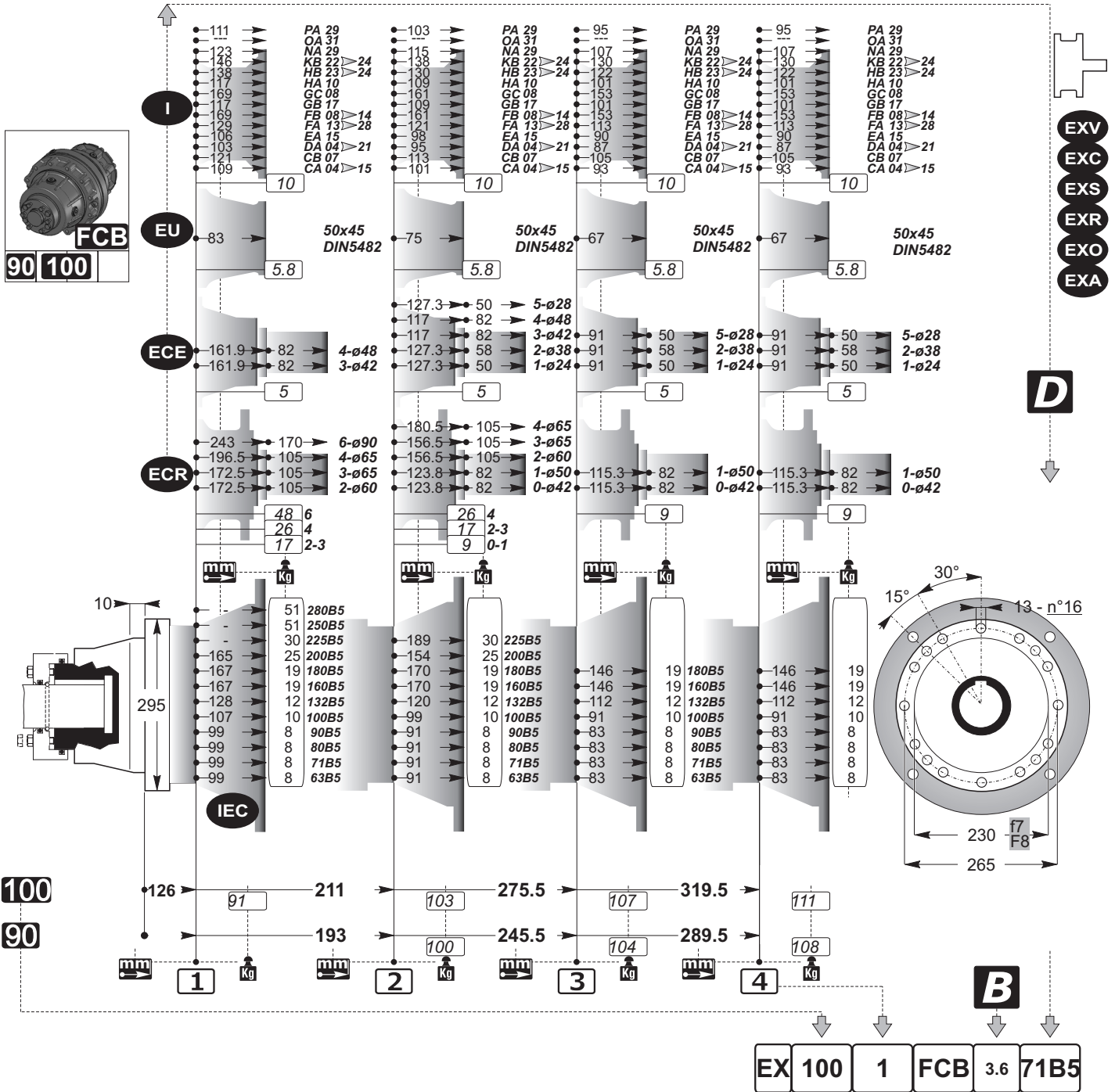




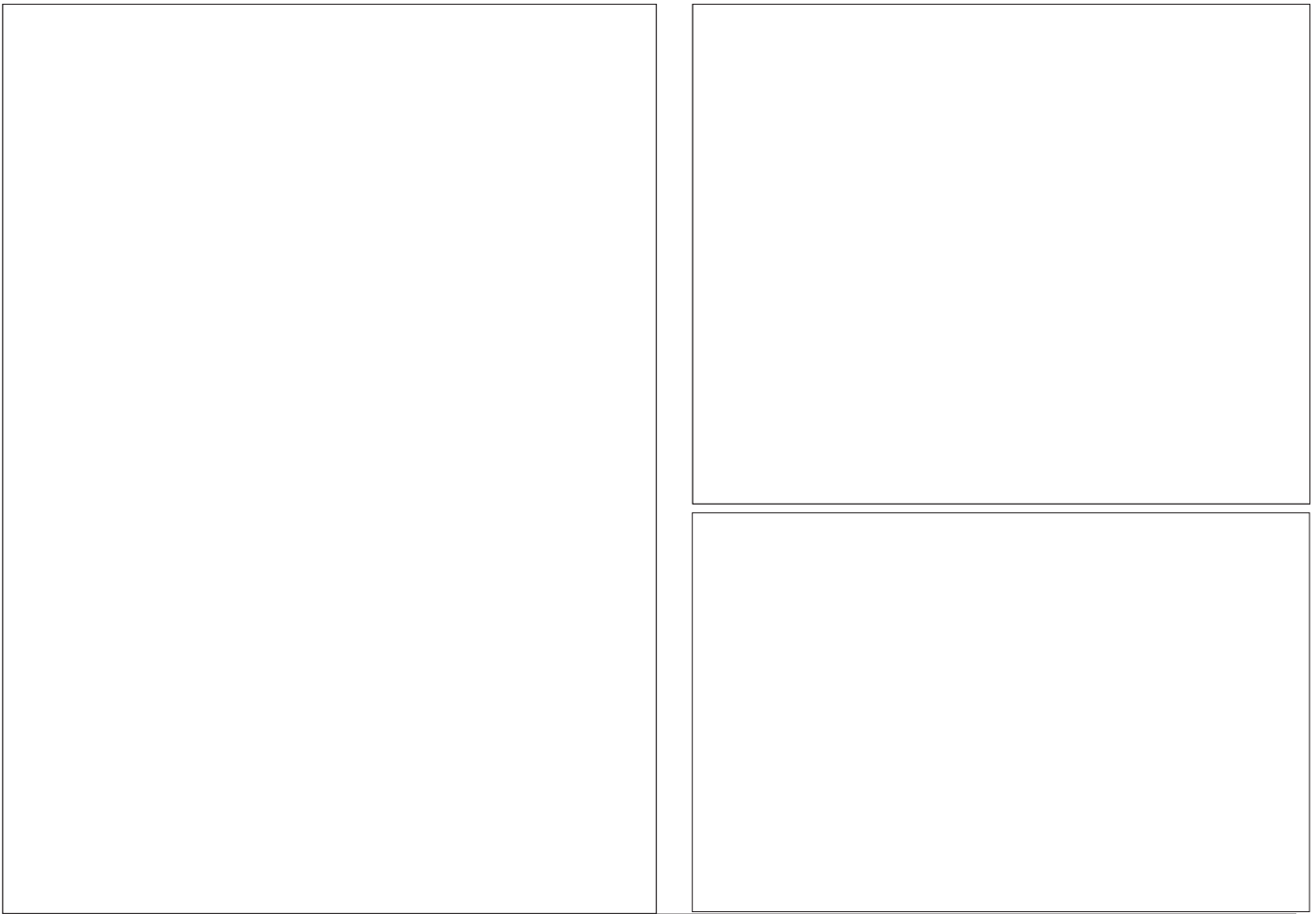
OT E

	M1	M2	M3	M4	M5	M6
>5 100	1.9 3.0 3.5 3.7		3.2 5.2 6.1 6.5	3.0 4.9 5.8 6.1		
>5 90	2.9 3.1 3.4		5.0 5.4 5.8	4.8 5.1 5.5		
n2	1 2 3 4	1 2 3 4	1 2 3 4	1 2 3 4	1 2 3 4	1 2 3 4

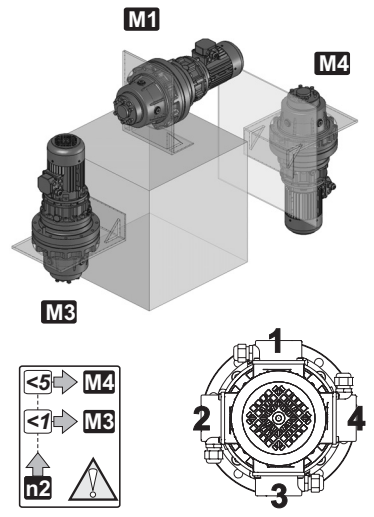


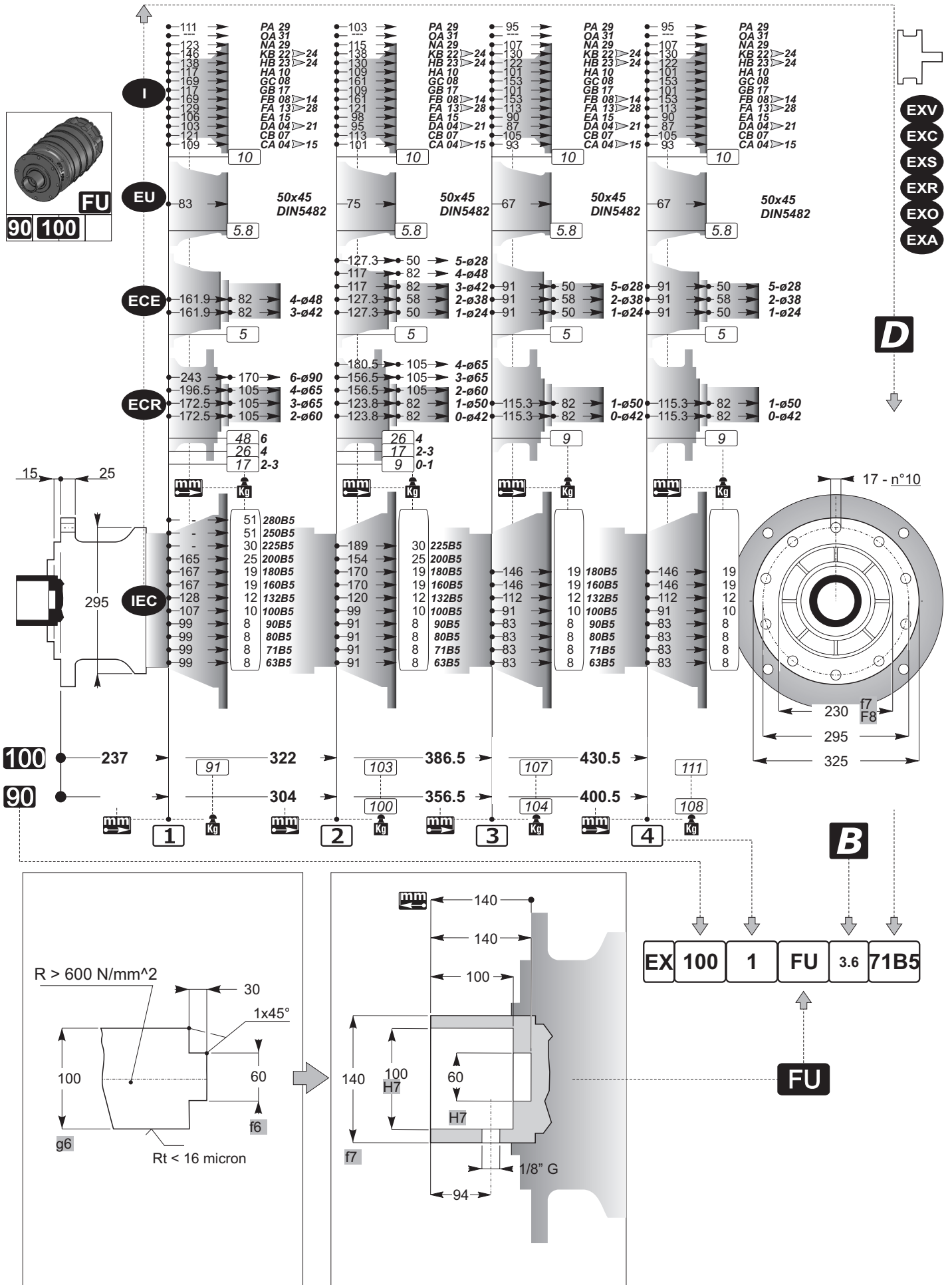


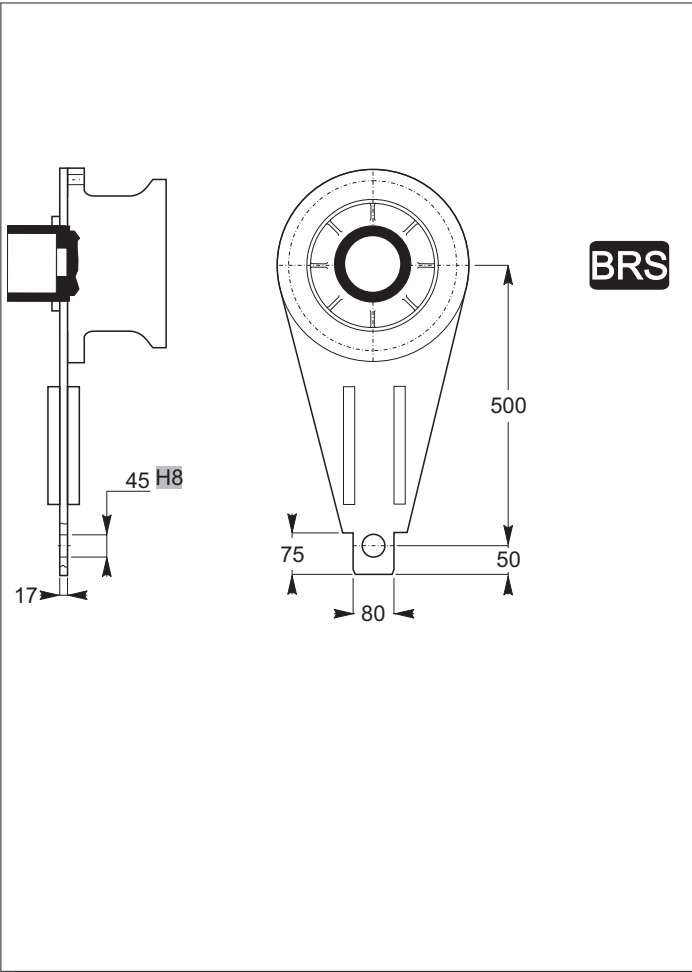
C



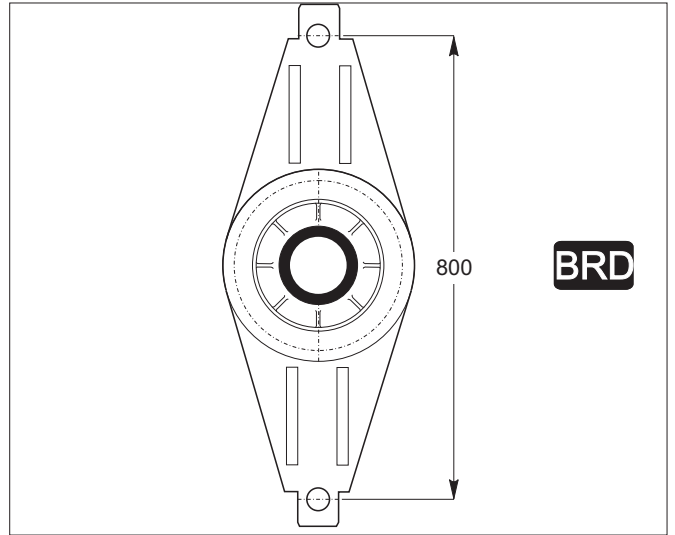
	OT				E			
	M1	M2	M3	M4	M5	M6		
	---		---	---				
	---		---	---				
>5 100	---		---	---				
>5 90	---		---	---				
n2	1 2 3 4	1 2 3 4	1 2 3 4	1 2 3 4	1 2 3 4	1 2 3 4	1 2 3 4	1 2 3 4



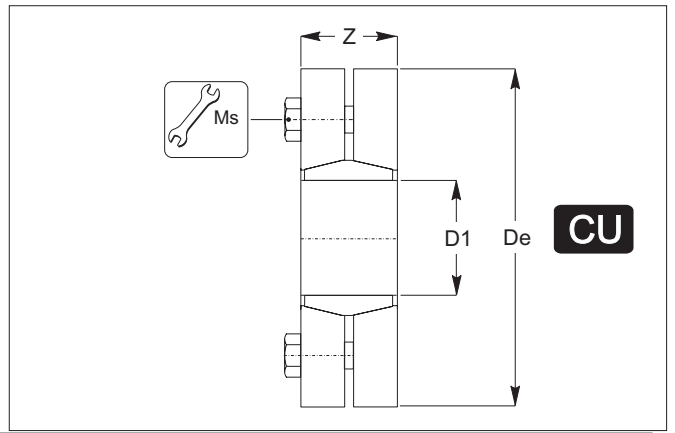




BRS



BRD



CU

	OT				E			
	M1	M2	M3	M4	M5	M6		
≥5 100	1.9 3.0 3.5 3.7		3.2 5.2 6.1 6.5	3.0 4.9 5.8 6.1				
≥5 90	2.9 3.1 3.4		5.0 5.4 5.8	4.8 5.1 5.5				
n2	1 2 3 4	1 2 3 4	1 2 3 4	1 2 3 4	1 2 3 4	1 2 3 4	1 2 3 4	1 2 3 4

